

MACHINE VISION CAMERA

CamPerform

CP70-1HS-M/C-1900



- METROLOGY
- 2D/3D AOI
- INLINE INSPECTION

- 1900 fps with 1280x860 pixels with 8 bit A/D conversion
- New DIN 1.0/2.3 connectors with thread lock
- CoaXPress interface with 25 Gbit/s
- Power and trigger via CoaXPress
- EMVA1288 standard

CamPerform CP70-1HS-M/C-1900

Optronis

Make time visible

MODEL OPTIONS

Article number	Description
CP70-1HS-M-1900	monochrome Camera
CP70-1HS-C-1900	color Camera
CP70-CM	C-Mount lens adapter
CP70-FM	F-Mount lens adapter
CP70-PTC	Pig tail cable for sync

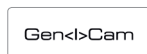
PERFORMANCE (EXAMPLES)

Resolution (HxV)	Frames/second
1280 x 860	1981 fps
1280 x 720	fps
640 x 480	6168 fps
256 x 256	11175 fps
1280 x 4	

STANDARDS

Conformity (documents available on request)

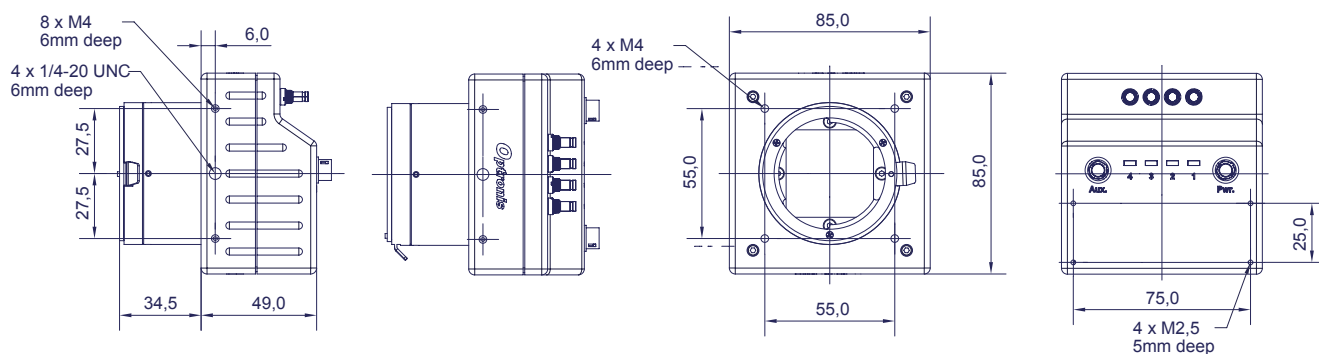
EMVA1288	Version 3.0
CoaXPress	Version 1.1
GenICam	Fully supported
Shock & Vibration	DIN EN 60721-3-2
ISO	9001:2015
Conformity	CE, RoHS



SPECIFICATIONS

Sensor resolution	1280 x 860 Faster frame rates with smaller Y window size;
Frame rate @ max. sensor res.	1981 fps
Image sensor	LUX13HS Global Shutter CMOS
Exposure time	2 µs - 1/Frame rate
Active area	17.536 mm x 11.782 mm
Sensor diagonal dimension	21.126 mm
Pixel size	13.7 µm
A/D conversion	8 Bit
Dynamic	TBD dB
Sensitivity	25 V/lux*s @550 nm
Gain	analog 1x
Saturation capacity (FWC)	20000 e-
SNR	TBD dB
DSNU1288	TBD e-
PRNU1288	TBD %
Non-linearity error	< TBD %
Shutter efficiency	global electronic shutter
Trigger signal	TTL, 3.3 - 5 V, 10 mA, optically isolated
Trigger modes	internal free-run, external, CXP
Interface	CoaXPress (4 Channel, CXP-6) DIN 1.0/2.3 connectors
Power	PoCXP (11 Watt)
Lens mount	F-Mount, C-Mount, M42 and custom
Weight	470 g without mount
Dimensions	85 mm x 85 mm x 49.0 mm (3D-Step file on request)
Housing	lightweight anodised aluminium
Scope of delivery	camera and manual

TECHNICAL DRAWING



CONTACT INFORMATION

Optronis GmbH
Ludwigstraße 2
77694 Kehl
Germany

Phone: +49 7851 91 26 - 0
Fax: +49 7851 91 26 - 10
info@optronis.com
www.optronis.com

The information given herein is believed to be reliable, however Optronis makes no warranties as to its accuracy or completeness. Data sheet is subject to modifications at any time. 08/2017