

PRODUCT BRIEF

The PHLY product family regenerates signals for Camera Link cameras and frame grabbers to double the link distance. It is fully compatible with Base, Medium and Full configurations up to 85MHz pixel clocks. Separate modules for Base and Full configurations provide easy upgrade path from Base to Full configuration with cost savings. Flexible power supply options include PoCL pass-through, PoCL sharing and PoCL enable functions for PoCL compatible cameras and frame grabbers. PHLY also offers an option for supplying power to camera when frame grabber does not have PoCL function. Compact size, light weight and low cost make PHLY an ideal solution for Camera Link repeater.

KEY FEATURES

- ❖ Fully supports Camera Link cameras/framegrabbers up to 85MHz pixel clock
- ❖ Plug-and-Play, no programming required
- ❖ PoCL pass-through function allows PoCL compatible cameras to withdraw power from frame grabbers while PHLY power is supplied by its own DC input
- ❖ PoCL sharing function allows PoCL compatible cameras and PHLY to share power from frame grabbers
- ❖ PoCL enable function allows PHLY to withdraw power from frame grabber while camera is not PoCL compatible
- ❖ Optional power supply to camera when frame grabber does not have PoCL function
- ❖ Modules can be cascaded to increase link distance and share the same power source
- ❖ Single 5V~24V DC power supply

PHRONTIER™
TECHNOLOGIES

PHLY™ Mini Camera Link Repeater

**PHLY-Bx
PHLY-Fx**



PHLY Front View



PHLY Back View



TYPICAL SYSTEM SETUP

No external power supply is needed with PoCL power sharing function.



TECHNICAL SPECIFICATIONS

General Specification

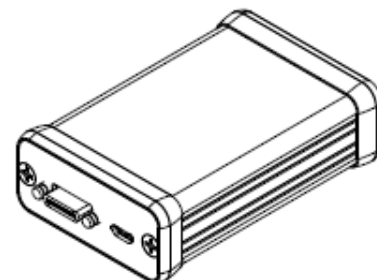
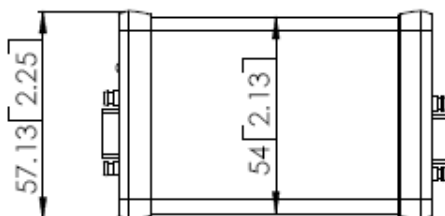
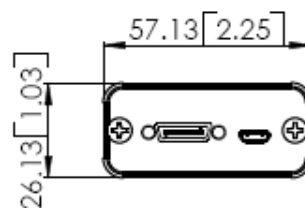
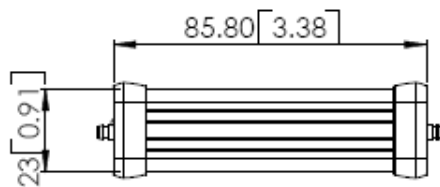
Operating Temperature	0 ~ 70 °C			
Input Voltage	DC 5 ~ 24 V			
Supply Current @ 12V	Base	Typ. 0.05A	Full	Typ. 0.1A
Power Consumption @25 °C	Base	Typ. 0.6W	Full	Typ. 1.2W
AC/DC Power Supply Connector	Micro-USB type B (5 pins)			
Weight (approx)	Base	100 gram	Full	100 gram

Camera Link Interface

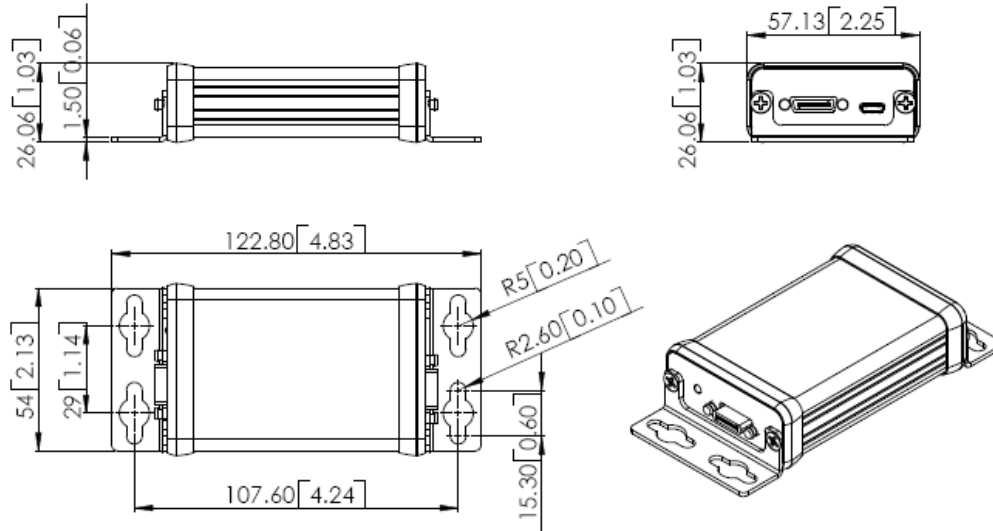
Pixel Clock	20 to 85MHz			
Supported Camera Link Configuration	Base/Dual Base/Medium/Full/Extended Full			
Image Enables	FVAL, LVAL, DVAL, spare			
Camera Control	CC1, CC2, CC3, CC4			
Communication	SerTC, SerTFG			
Connector Type	SDR26 receptacle (Mini Camera Link)			

MECHANICAL INFORMATION (mm[inch])

Without Mounting Flanges



With Optional Mounting Flanges



ORDERING INFORMATION

Part Numbers	Camera Link Config	Supported Camera	Supported Grabber	External Power Supply	Parts Included in Package
PHLY-B	Base	Non-PoCL	Non-PoCL	Required	1x PHLY-Bx box 1x User manual
PHLY-B		PoCL	PoCL	optional	
PHLY-BE		Non-PoCL	PoCL	optional	
PHLY-BP		PoCL	Non-PoCL	Required	
PHLY-F	Base	Non-PoCL	Non-PoCL	Required	1x PHLY-Bx box 1x PHLY-Ux box 1x User manual
PHLY-F	Medium	PoCL	PoCL	optional	
PHLY-FE	Full	Non-PoCL	PoCL	optional	
PHLY-FP	Ex-Full	PoCL	Non-PoCL	Required	
PHLY-Ux	Individual module for use with PHLY-Bx to upgrade to Full configuration				
PHLY-W	Optional mounting flange kit (includes two flanges)				
MUSB-1	For PHLY-B, power cable with open-end wires				
618-TRG10R-MUSB-1	For PHLY-B, wall mount AC/DC adapter with single micro-USB plug				
MUSB-2	For PHLY-F, Y-split power cable with open-end wires				
618-MUSB-2	For PHLY-F, Y-split power cable with Switchcraft TA3MLX connector				
618-TRG10R-TA3FX	For 618-TRG10R-MUSB-2 assembly, wall mount AC/DC adapter with Switchcraft TA3FX connector				
618-TRG10R-MUSB-2	For PHLY-F, Wall mount AC/DC adapter including Y-split cable assembly with two micro-USB plugs. (618-MUSB-2 + 618-TRG10R-TA3FX)				

- x = blank: Standard with PoCL pass-through and PoCL sharing function.
- = E: PoCL enable function for PoCL frame grabber and non-PoCL camera.
- = P: PHLY supply power to camera with non-PoCL frame grabber



www.phrontier-tech.com

sales@phrontier-tech.com

Toll Free: 1-866-389-2829

The Camera Link™ term and the Camera Link logo are registered trademarks of AIA. Phrontier™ and PHLY™ are trademarks of Phrontier Technologies, LLC. All rights reserved. Copy Right © 2012 - 2020