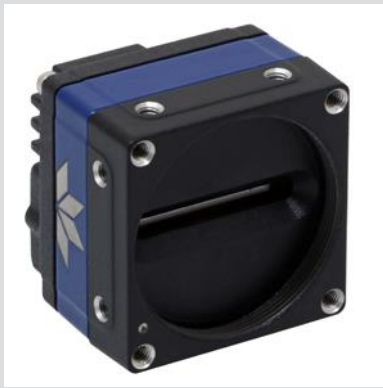


Linea™ Lite 2k: Preliminary Product Information

L2-GC-02K02B-00-A Line Scan Camera



Key Features

- » 2048 pixel resolution
- » 14 µm pixel size
- » 25 kHz line rate
- » Multiple regions of interest for calibration and data reduction
- » 4 programmable coefficient sets
- » Programmable I/Os
- » Compact form factor
- » Configurable full well
- » Precision Time Protocol
- » TurboDrive
- » GigE, PoE

Typical Applications

- » Automated optical inspection
- » Optical sorting systems
- » Materials grading and inspection
- » Web inspection
- » General purpose machine vision

GigE 2k Colour Camera

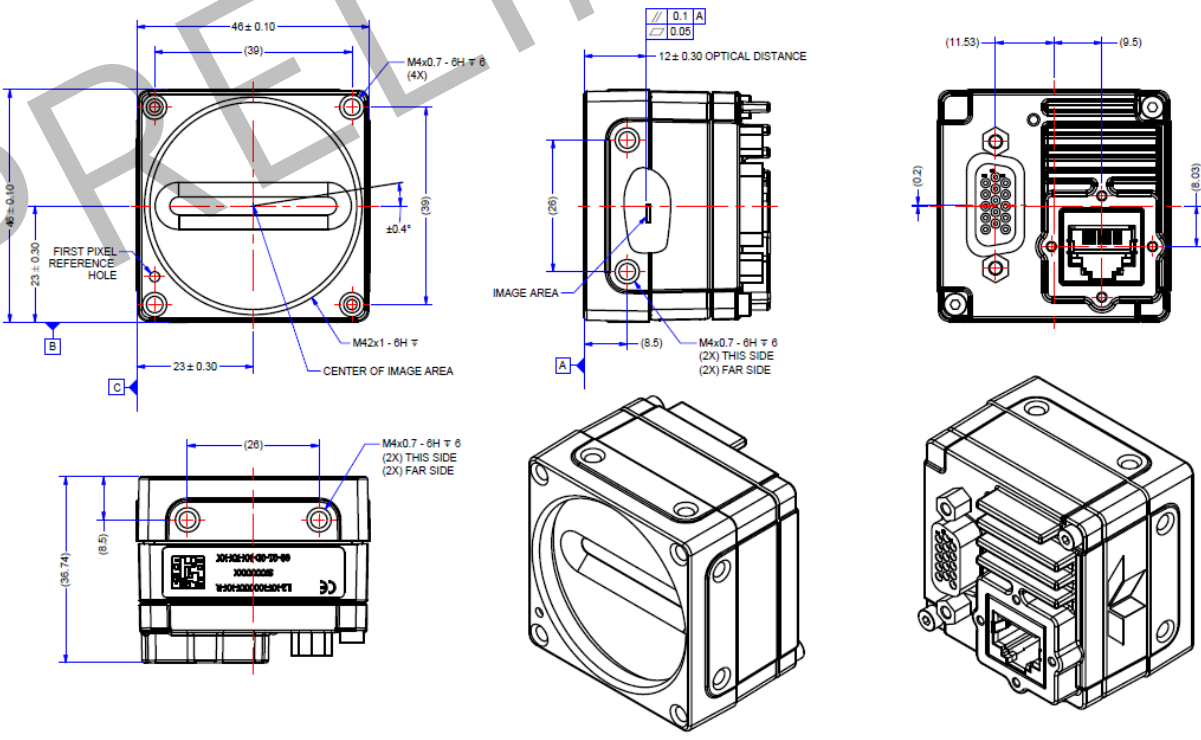
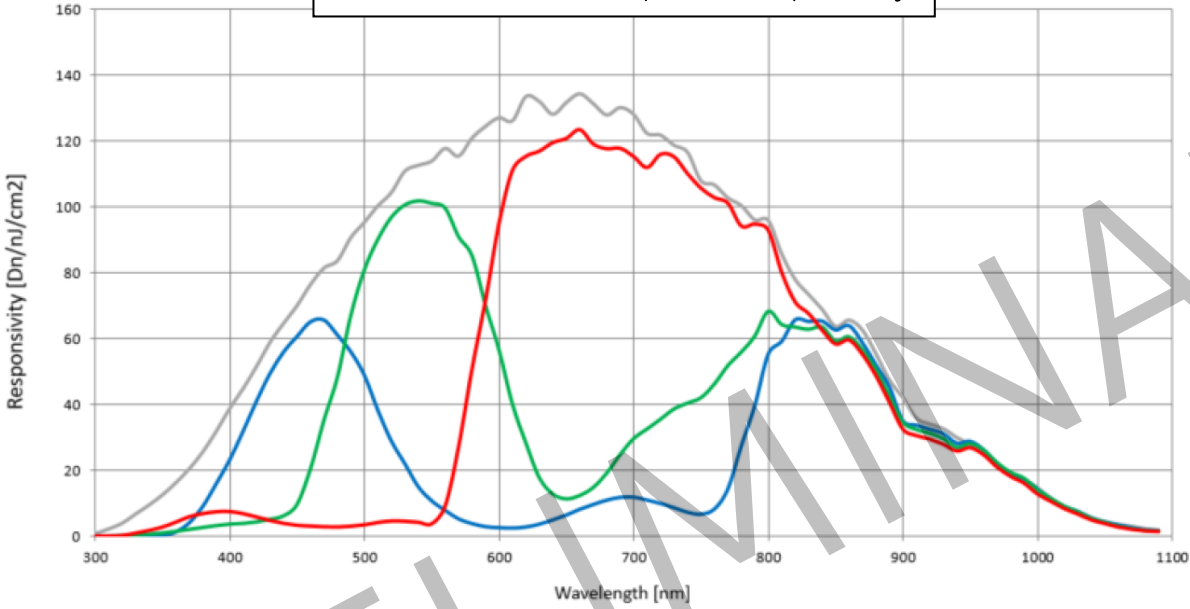
Compact and remarkably cost effective, Linea Lite makes line scan more accessible than ever. Designed with performance in mind, this camera offers superior colour fidelity at 2k resolution and line rates up to 25 kHz, with a GigE Vision® interface.

Specifications

Resolution	2048 pixels
Line Rate	25 kHz
Pixel Size	14 µm
Interface	GigE
Data Format	8 or 12 bit
Dynamic Range (dB)	72
Full Well (ke-)	32
Read Noise (e-)	8.5
Power Dissipation	<6 W
Operating Temp	-10-65 °C
Camera Size	46 x 46 x 37 mm
Camera Weight	< 280 g
Optical Interface	M42
Control & Data	GigE

SPECIFICATIONS

RGB + Monochrome Spectral Responsivity



NOTES:
1. UNITS: MILLIMETERS.
2. IMAGE AREA IS ALIGNED TO DATUMS \square \square & \square

Americas
Boston, USA
+1 978-670-2000
sales.americas@teledynedalsa.com

Europe
Krailling, Germany
+49 89-89-54-57-3-80
sales.europe@teledynedalsa.com

Asia Pacific
Tokyo, Japan
+81 3-5960-6353
sales.asia@teledynedalsa.com

Shanghai, China
+86 21-3368-0027
sales.asia@teledynedalsa.com