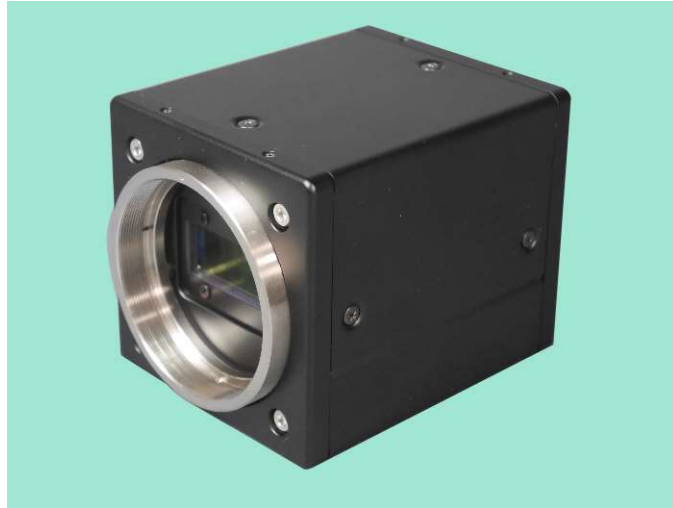


BV-C5400CXP 3CMOS 4K RGB Line Scan Camera

BV-C5400CXP equips newly developed prism optics for line sensors in lightweight and compact body and uses three 4K CMOS line sensors to capture R, G and B wavelength simultaneously.



Key features

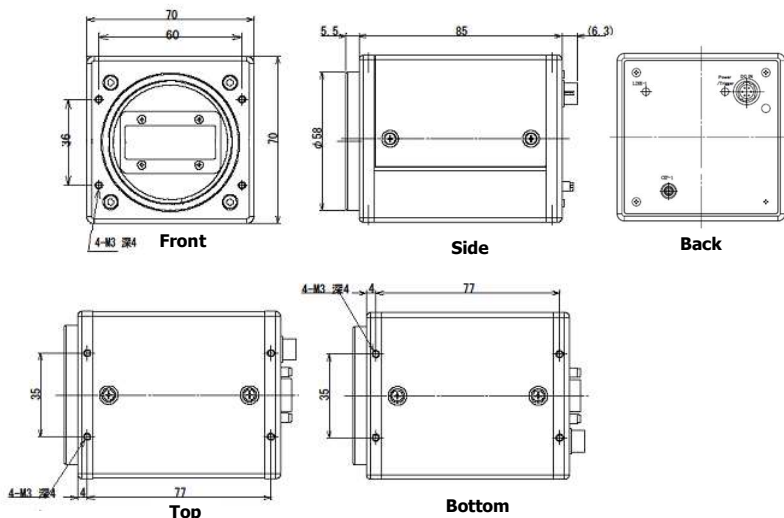
- ◆ Newly developed RGB Dichroic prism for line scan camera
- ◆ Three CMOS, 4096 pixels, 7 μ m square pixel sensors to be used
- ◆ Small size, light in weight, compact body design
- ◆ Line rate of 18,034 lines/second
- ◆ Variable electronic shutter from 9.52 μ s to 100ms in 12.5ns unit
- ◆ Image output through 4K full resolution mode, Binning 2K mode or Window 2K mode can be selected
- ◆ CoaXPress CXP3 RGB8 8bit \times 3 output
- ◆ Gain setting from -3dB to +12dB
- ◆ Internal or External trigger for synchronization
- ◆ Various compensation functions are installed (see back page)
- ◆ Three electronic shutter modes (No Shutter mode, Shutter Select mode, Pulse width)
- ◆ Communication interface by CoaXPress Uplink, Baud rate of 20.83Mbps
- ◆ Field update function

Specifications

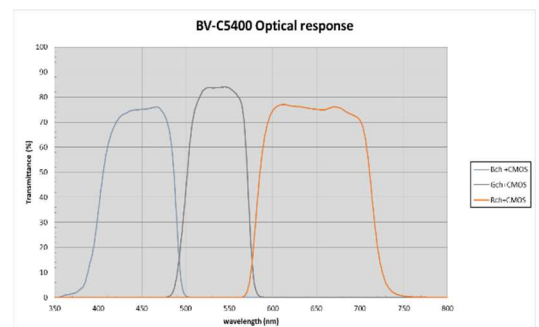
| | BV-C5400CXP |
|--------------------------------------|---|
| Optical system | RGB Dichroic prism |
| Image sensor | 4096 pixels, 7 μ m square pixel, CMOS line sensor \times 3 |
| Effective image length | 28.672mm |
| Synchronization | Internal / External trigger |
| Line rate / Line frequency | 55.45 μ s / 18.03kHz (Internal, Full resolution) |
| Image output | 4K Full resolution mode / 2 pixels binning 2K mode / Window 2K mode selectable CoaXPress CXP3 RGB8 8bit \times 3 output |
| Standard illumination | 3500lx (Color temp. 7800K equivalent, Gain Low, Shutter OFF, F2.8, Line rate 330 μ s, 100% video) |
| S/N | 8bit gradation (S/N: more than 48dB) |
| Line rate variable range | 55.45 μ s \sim 100ms in 12.5ns unit |
| Electronic shutter | Variable range 9.52 μ s \sim 100ms in 12.5ns unit |
| Gain | R/G/B -3 dB \sim +12dB |
| Black level | R/G/B 0LSB \sim 31LSB |
| Trigger input | CXP Trigger Packet |
| Electronic shutter mode | 1. No Shutter mode (Internal/External trigger) 2. Shutter Select mode (Internal/External trigger) 3. Pulse Width Control (External trigger) |
| Compensation | DSNU, Flat/Color shading compensation, Lens aberration compensation (ON/OFF) |
| Communication interface | CoaXPress Uplink, Baud rate of 20.83Mbps |
| Lens mount | M52 mount / F mount(option) |
| Input voltage /Current consumption | DC 12V \sim 24V, Typical 0.64A / Max. 0.76A (in case of DC12V input) |
| Operating Temp./Humidity | -5 $^{\circ}$ C \sim +45 $^{\circ}$ C / 20% \sim 80% (non-condensing) |
| Storage Temp./Humidity | -25 $^{\circ}$ C \sim +60 $^{\circ}$ C / 20% \sim 80% (non-condensing) |
| Dimensions (W \times H \times D) | 70 \times 70 \times 85mm (excluding protrusion) |
| Weight | 570g |

Specifications are subject to change without prior notice.

Dimensions



Optical response



BlueVision Ltd., Japan

3-17-2 Shin-Yokohama, Kohoku-ku, Yokohama
Kanagawa, 222-0033 Japan

TEL: 045-471-4595 FAX: 045-471-4598

URL: www.bluevision.jp / Contact: sales@bluevision.jp

