



Powered by LightField®

PIXIS-XF: 1024

1024 x 1024 imaging array | 13 x 13 μm pixels

The PIXIS-XF: 1024 series of fully integrated, low noise cameras utilizes front illuminated and back illuminated CCDs, and is designed for indirect imaging X-rays using specially designed phosphor screens and other lambertian sources. The unique camera design, with a fiberoptic faceplate extended outside the vacuum, offers outstanding flexibility for optimizing system performance at any X-ray energy. Dual speed operation at 100 kHz or 2 MHz enables the camera to be used for steady state as well as high speed applications, while its 1024 x 1024 imaging array, 13.0 μm pixels (38 lp/mm), 100% fill factor, 1:1 fiberoptic ratio, ultra low-noise electronics, -35° C thermoelectric cooling with air or water, and its compact design make the PIXIS-XF ideal for worry-free operation in research and OEM environments.

FEATURES	BENEFITS
Back illuminated CCD (1024B)	For highest sensitivity
Front illuminated CCD (1024F)	Affordable technology for moderate light level applications
Ultra low noise electronics	Best possible system performance for low light level applications
1:1 fiberoptic ratio*	Distortion and vignetting-free optical coupling
Deep thermoelectric air cooling	Low dark noise allows detection of faint signals; Maintenance-free operation; NO need for a liquid circulator or additional power supply
Deep thermoelectric water cooling	CoolCUBE II, a compact room temperature coolant circulator, is available for vibration sensitive environments
Custom phosphors*	Gd2O2S:Tb; Available for 8 keV and 17 keV; Resolution of 60 to 80 mm Emission wavelength ~550 nm
1024 x 1024 imaging array, 13 x 13 μm pixels	Highest spatial resolution
Dual digitizers	Dual-speed digitization allows complete freedom to select between "slow operation" for low noise and highest SNR or "fast operation" for rapid image acquisition
Software selectable gains for each digitization speed	Allows optimization of system performance for lowest noise to highest SNR
Flexible user-selectable binning & readout	Total flexibility to optimize experiments and SNR
Flexible ROI/binning	Allows faster frame rate and/or sensitivity
USB 2.0 data interface Optional fiber optic interface	Seamless, plug-and-play connection to PC notebooks & desktops; Easy OEM integration; Ideal for remote operation
Optional: LightField® for 64-bit Windows 7	Offers intuitive, cutting edge user interface; Provides data acquisition, defect correction, display and analysis
Optional: WinView and WinSpec for 32-bit Windows XP/7	Offers powerful, easy-to-use set of Windows GUI controls; Automates data acquisition, background and flat field corrections and display
SITK™ for LabVIEW™	Easy integration into complex experimental setup
PICAM (64-bit)/PVCAM (32-bit) software development kits (SDKs)	Universal programming interfaces for easy custom programming; Compatible with Windows XP/7 (32-bit) and Windows 7 (64-bit)

* Contact your local sales representative for information about additional fiber optics, fiber ratios and phosphors

Applications:

X-ray Microtomography, Streak Tube and CRT Readout, Industrial & Medical Imaging

SPECIFICATIONS

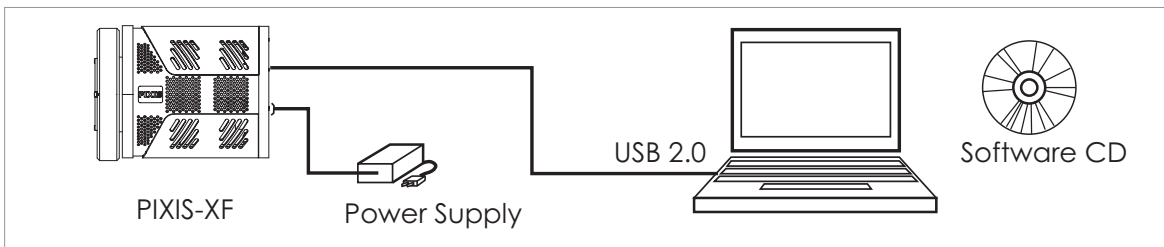
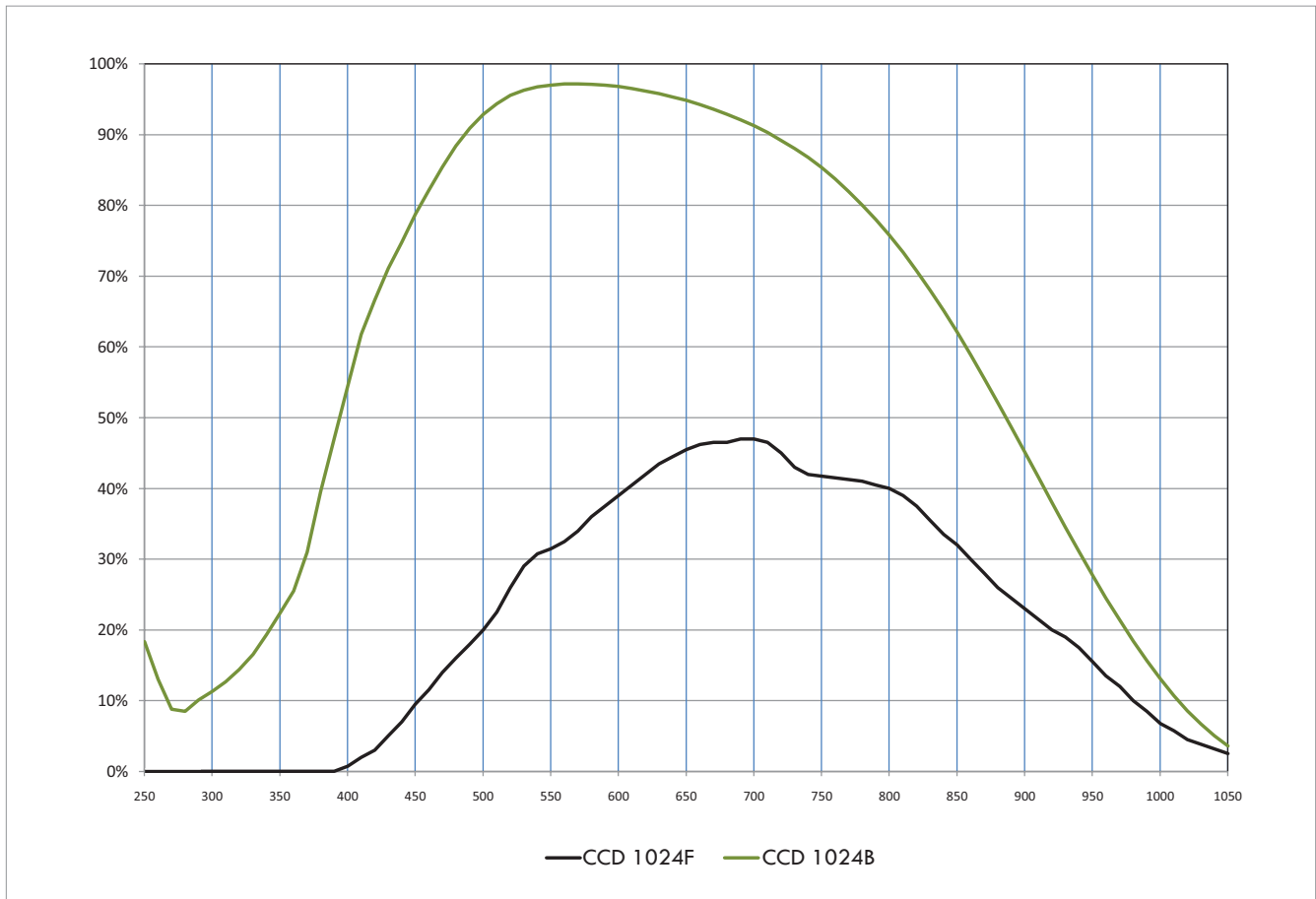
	PIXIS-XF: 1024F	PIXIS-XF: 1024B
Features	Front-illuminated CCD for moderate light level applications	Back-illuminated CCD for low light level applications.
CCD Image Sensor	e2v CCD47-10; front-illuminated; scientific grade 1; ALMO	e2v CCD47-10; back-illuminated; scientific grade 1; ALMO
Dark current @ -40° C	0.035 e-/p/sec (typical) 0.2 e-/p/sec (max)	0.035 e-/p/sec (typical) 0.2 e-/p/sec (max)
CCD format	1024 x 1024 imaging pixels; 13 x 13- μ m pixels; 100% fill factor; 13.3 x 13.3 mm (optically centered)	
Deepest cooling temperature (with ambient air @ +20° C)	-40° C typical; -35° C guaranteed	
Thermostating precision	\pm 0.05° C	
Cooling method	Thermoelectric air (standard) or liquid cooling (CoolCUBE II required)	
Full well	Single pixel: 100 ke- (typical), 60 ke- (minimum) Output node: 250 ke- (typical), 200 ke- (minimum)	
ADC speed/bits	100 kHz/16-bit and 2 MHz/16-bit	
System read noise @100kHz @2MHz	4.5 e- rms (typical), 6.5 e- rms (max) 12.5 e- rms (typical), 16 e- rms (max)	
Vertical shift speed	< 3.2 μ sec/row to 18 μ sec/row (programmable)	
Non-linearity	< 1% @ 100 kHz	
Software selectable gains	1, 2, 4 e-/ADU; available at all speeds	
Operating systems supported	Windows XP/Vista/7; Linux	
Data interface	USB2.0 (5m interface cable provided); Optional Fiberoptic interface is available for remote operation	
I/O signals	Two MCX connectors for programmable frame readout, shutter, trigger in	
Operating environment	+5° C to +30° C non-condensing	
Certification	CE	
Dimensions / Weight	19.8 cm (7.80") x 11.81 cm (4.65") x 11.38 cm (4.48") (L x W x H) / 2.55 kg (5.65 lbs)	

NOTES: All specifications subject to change

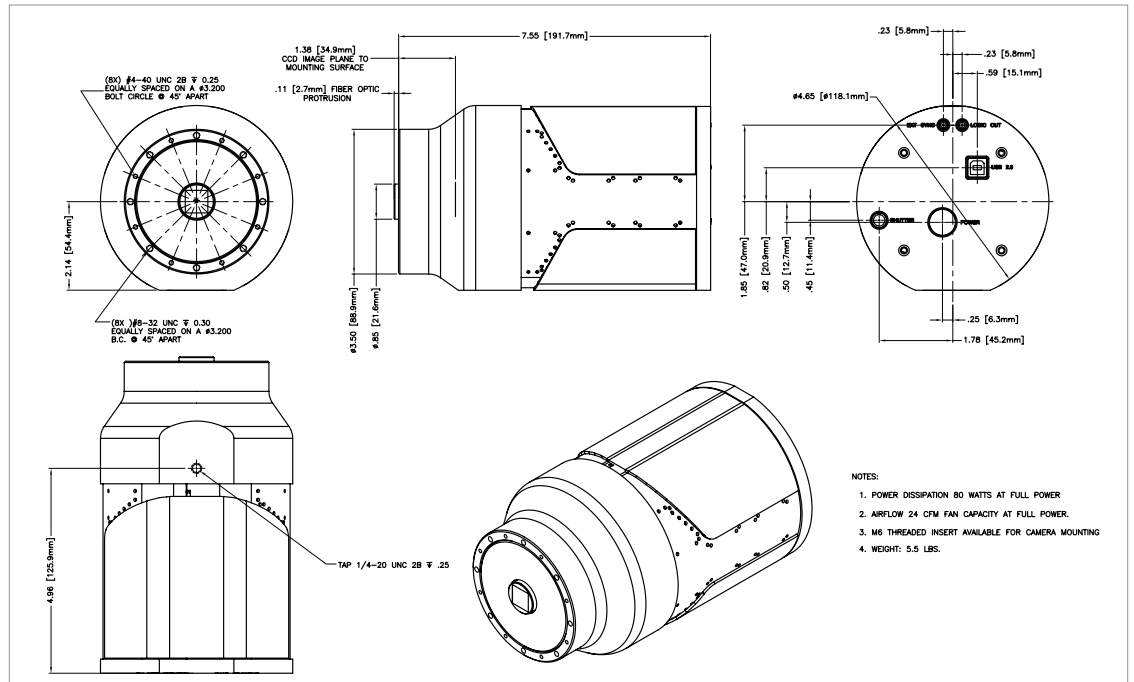
Readout Rates

Binning	@ 2 MHz	@100 kHz
1 x 1	0.58 sec	10.0 sec
2 x 2	0.28 sec	2.8 sec
4 x 4	0.14 sec	0.85 sec

Quantum Efficiency Curve



Without Phosphor Kit



With Phosphor Kit

