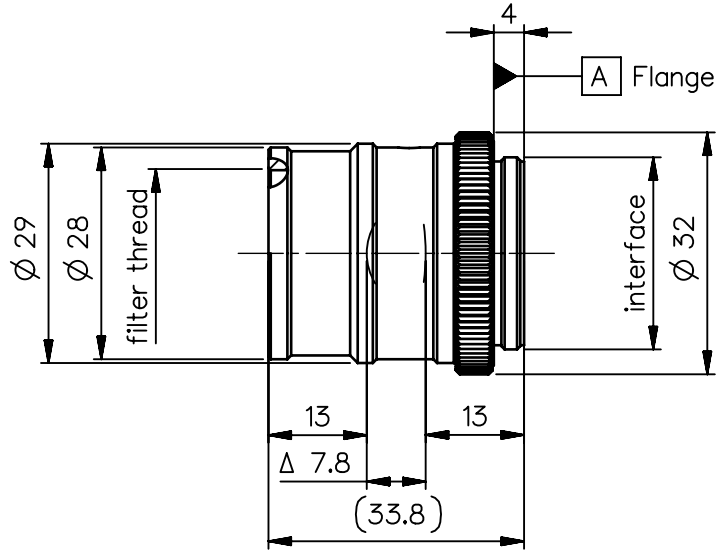


order number	lens name	f-stop
0009-190-000-40	Macro-CCD-Lens -0.3x 3.5	3.5
0009-190-000-41	Macro-CCD-Lens -0.3x 5.6	5.6
0009-190-000-42	Macro-CCD-Lens -0.3x 8	8



Specification		ON	
image circle max. (mm)	11	working distance (mm)	90
focal length f' (mm) *	24.2	interface	C-mount
magnification β' [range]	-0.3	filter thread	M22.5 x0.5
spectral range λ (nm)	400 - 750	weight (g)	40
schematic diagram		*) in air	
		design includes CCD cover glass: no	
		SF (mm)	-25.1
		S'F' (mm) *	19.5
		HH' (mm) *	4.0
		SH (mm)	-0.9
		S'H' (mm) *	-4.7
		SEnP (mm)	
		S'Exp (mm) *	
		f-stop	
		\varnothing EnP	
		\varnothing Exp	

NX	EU-D	AL-T1A	US-D	US-ML	not export controlled
				PDM Status Freigabe	-
PROTECTIVE NOTE "DIN ISO 16016" TO BE OBSERVED	REV	ECC	DATE	APPROVED	GENERAL TOLERANCE OF DIMENSION, FORM, POS.
	d	14-0184	21.08.14	Schiffe	SURF. TREATMT
					SCALE 1:1
					MATERIAL
				BASIC TOLERANCING PRINCIPLE	TITLE
				FIRST ISSUE	Macro-CCD-Lens 0.3x
				DATE	
				NAME	
				ISSUE	21.08.14 Schifferer
				CHKD	21.08.14 Stauder
					DRAWING NO.
					0009-190-100-00-0001d
					SHEET 1
					OF 1
DIN A 4	ALL DIMENSIONS ARE IN MM AND INCLUDE SURFACE TREATMENT				REPLACES