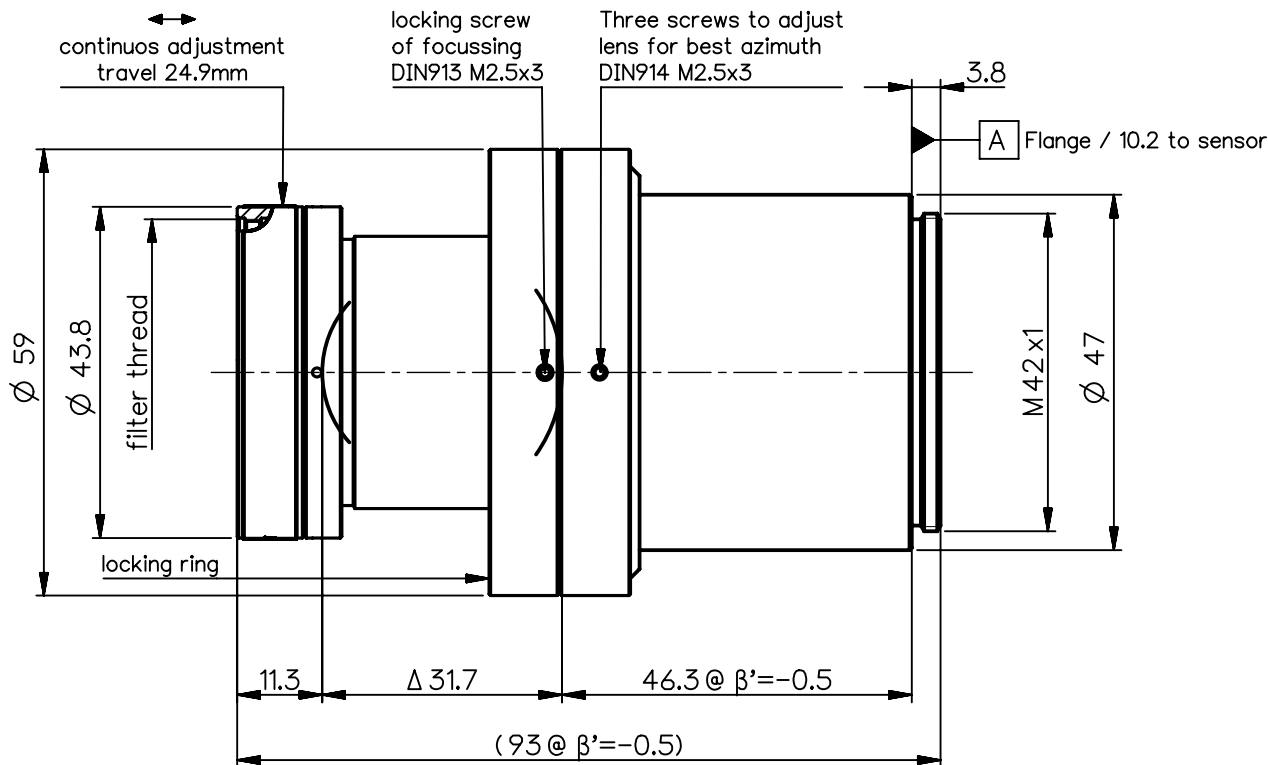


order number	lens name	f-stop
0703-119-000-24	Rodagon M42 2.8/50	2.8
0703-119-000-25	Rodagon M42 4/50	4
0703-119-000-26	Rodagon M42 5.6/50	5.6



<b>Specification</b>		ON	7509-9001
image circle max. (mm)	46	working distance (mm)	124 - 1545
focal length f' (mm) *	50.2	interface	M42x1
magnification β' [range]	-0.1 [-0.5 ... -0.033]	filter thread	M40.5x0.5
spectral range λ (nm)	400 - 750	weight (g)	210

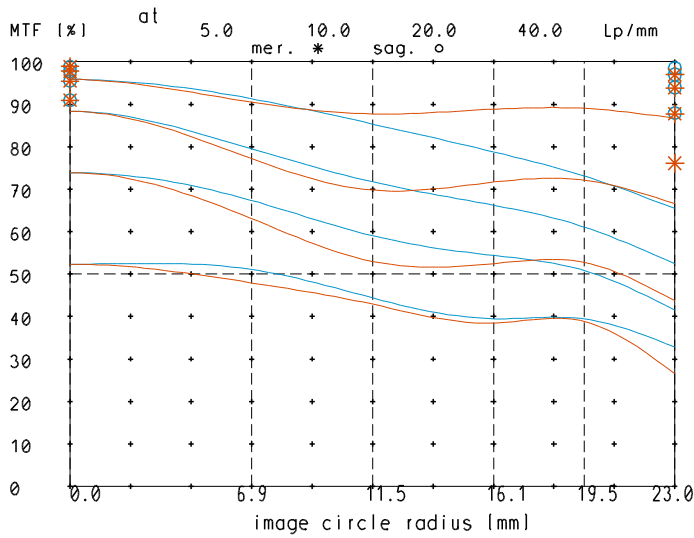
schematic diagram		*) in air					
design includes CCD cover glass:		no					
SF (mm)	-34.5	f-stop	2.8	Ø EnP	17.4	Ø Exp	18.1
S'F' (mm) *	31.43						
HH' (mm) *	-2.8						
SH (mm)	15.7						
S'H' (mm) *	-18.8						
SEnP (mm)	13.8						
S'Exp (mm) *	-20.8						

NX	EU-D		AL-T1A		US-D		US-ML		not export controlled		
	PDM Status		Freigabe						-		
PROTECTIVE NOTE "DIN ISO 16016" TO BE OBSERVED	REV	ECC	DATE	APPROVED	GENERAL TOLERANCE OF DIMENSION, FORM, POS.	SURF. TREATMT	SCALE		1:1		
	a	Neuausg	11.03.15	BoII			MATERIAL				
	BASIC TOLERANCING PRINCIPLE						TITLE				
							Rodagon M42 50mm				
DIN A 4	FIRST		DATE		NAME		DRAWING NO.		SHEET		
	ISSUE		11.03.15		BoII		0703-119-100-00-0001a		1		
ALL DIMENSIONS ARE IN MM AND INCLUDE SURFACE TREATMENT		CHKD		11.03.15		Stauder		REPLACES		OF	
										1	

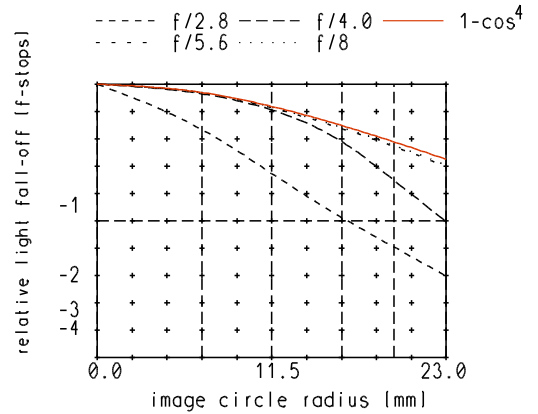


# Rodagon-M42\_2.8/50

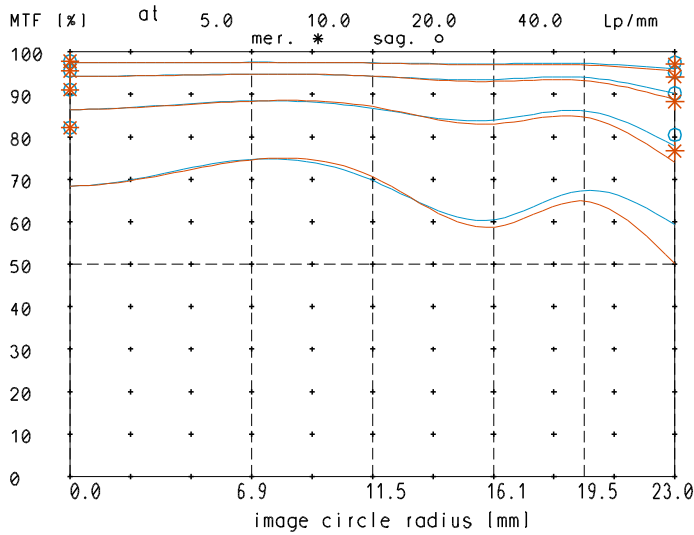
MTF at ratio -0.1x f/ 2.8



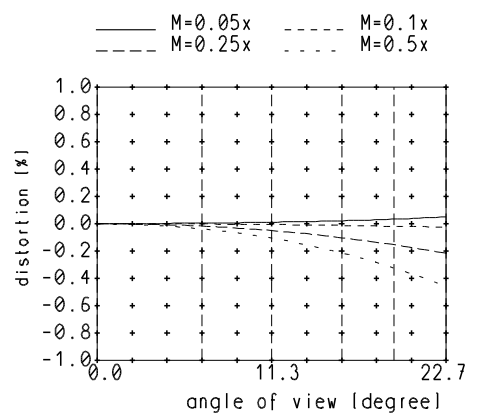
relative light fall-off at ratio -0.1x



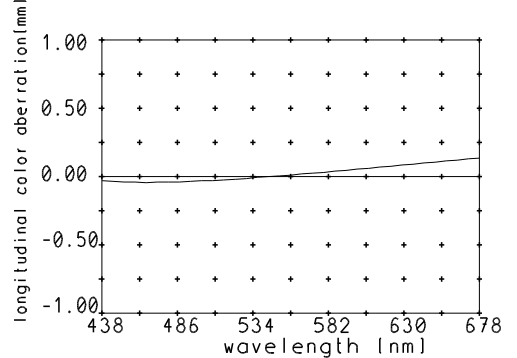
MTF at ratio -0.1x f/ 5.6



Distortion at ratio 0.05x to 0.5x



Longitudinal color aberration at ratio -0.1x



— sagittal. o Diffraction limited value  
 — meridional \* Diffraction limited value

Named frequencies (line pairs/mm) in modular transfer function (MTF) as well as diagrams of relative light fall-off, distortion and longitudinal color aberration refer to film plane.