



- Power over Ethernet
- GS, GRS, RS shutter modes
- Compact design

Small and powerful

Ultra-compact GigE Vision cameras

Mako G-131 with Teledyne e2v EV76C560 runs 62.0 frames per second at 1.3 MP resolution.

Mako is an attractively priced GigE Vision-compliant camera in a compact rugged industrial housing. Many models include advanced functionalities such as Precision Time Protocol (PTP), Trigger over Ethernet (ToE) Action Commands, and Power over Ethernet (PoE). Screw mount RJ45 connector and multiple I/Os facilitate your straightforward system integration. Mako cameras are also available as Near Infrared (NIR) and polarizer variants.

Easy software integration with Allied Vision's [Vimba Suite](#) and compatibility to the most popular [third party image-processing libraries](#).

See the [Modular Concept](#) for lens mount, housing variants, optical filters, case design, and other modular options. See the [Customization and OEM Solutions](#) webpage for additional options.

Specifications

Interface	IEEE 802.3 1000BASE-T, IEEE 802.3af (PoE)
Resolution	1280 (H) × 1024 (V)
Sensor	Teledyne e2v EV76C560
Sensor type	CMOS
Shutter mode	Global, Global reset, and Rolling shutter
Sensor size	Type 1/1.8
Pixel size	5.3 μm × 5.3 μm
Lens mounts (available)	C-Mount, CS-Mount
Max. frame rate at full resolution	62 fps
ADC	10 Bit
Image buffer (RAM)	64 MByte

Imaging performance

Imaging performance data is based on the evaluation methods in the EMVA 1288 Release 3.1 standard for characterization of image sensors and cameras. Measurements are typical values for monochrome models measured at full resolution without optical filter. Contact Sales or AE for more information.

Quantum efficiency at 529 nm	58 %
Temporal dark noise	25.7 e^-
Saturation capacity	9800 e^-
Dynamic range	51.4 dB
Absolute sensitivity threshold	26.4 e^-

Output

Bit depth	8/10 Bit
Monochrome pixel formats	Mono8, Mono10
YUV color pixel formats	YUV411Packed, YUV422Packed, YUV444Packed
RGB color pixel formats	RGB8Packed, BGR8Packed
Raw pixel formats	BayerBG8, BayerBG10

General purpose inputs/outputs (GPIOs)

Opto-isolated I/Os 1 input, 3 outputs

Operating conditions/dimensions

Operating temperature +5 °C to +45 °C housing temperature

Power requirements (DC) 10.8 to 26.4 VDC AUX or 802.3at Type 1 PoE

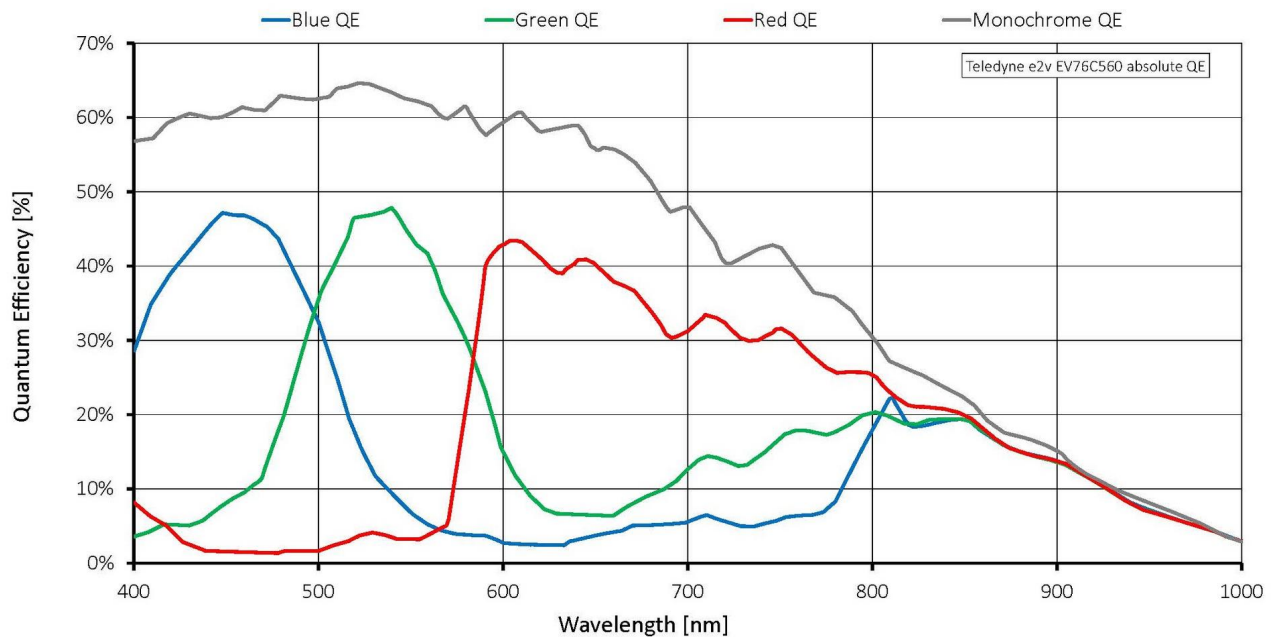
Power consumption 2.0 W at 12 VDC; 2.2 W PoE

Mass 80 g (with C-Mount)

Body dimensions (L × W × H in mm) 60.5 × 29.2 × 29.2 (including connectors)

Regulations CE: 2014/30/EU (EMC), 2011/65/EU, including amendment
 2015/863/EU (RoHS); FCC Class B; CAN ICES-003

Quantum efficiency



Features

Image control: Auto

- Auto exposure
- Auto gain
- Auto white balance (color models)

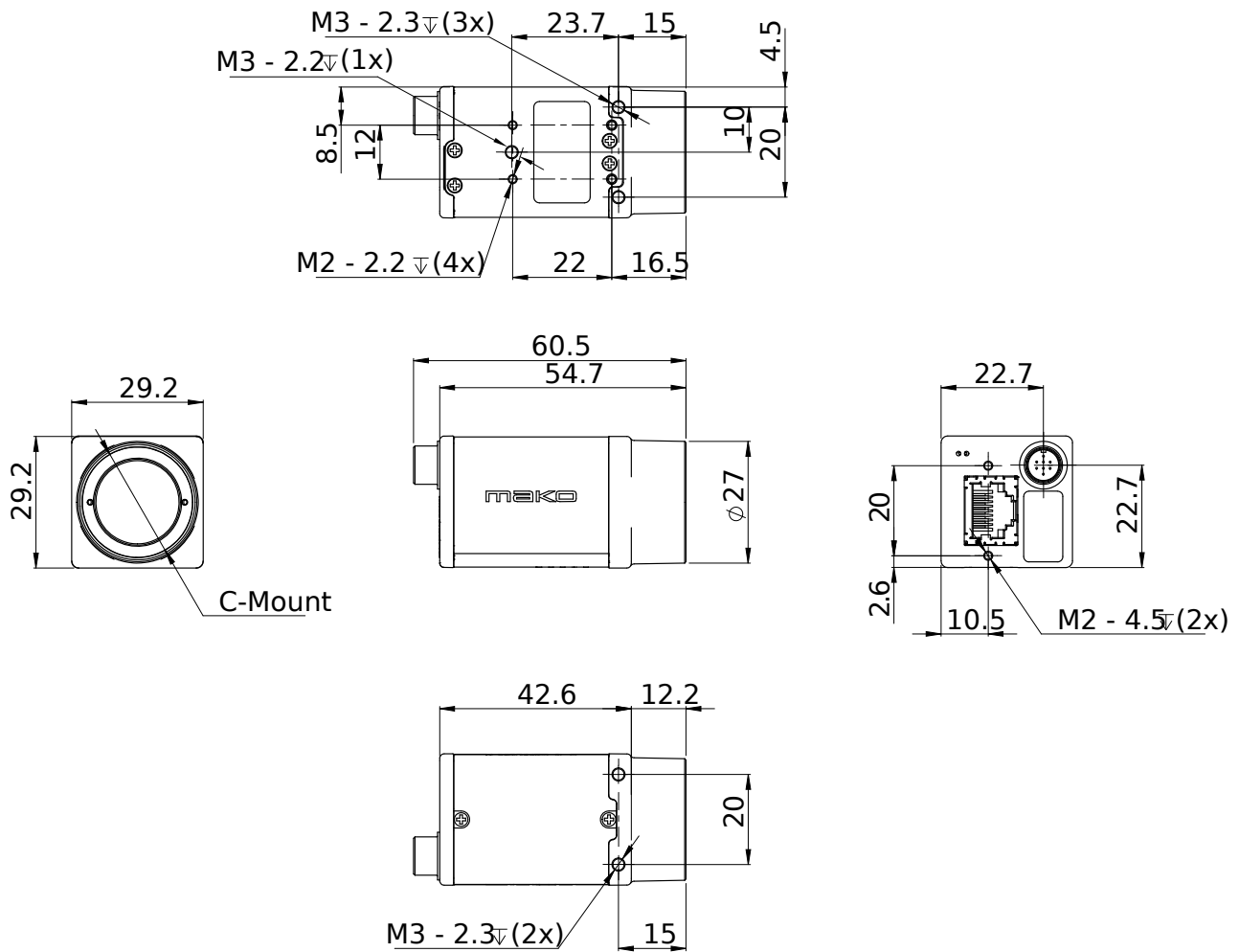
Image control: Other

- Binning
- Black level
- Color transformation (incl. hue, saturation; color models)
- Decimation
- DPC (defect pixel correction)
- Gamma
- LUT (look-up table)
- Reverse X/Y
- ROI (region of interest)

Camera control

- Acquisition frame rate
- Bandwidth control
- Event channel
- Firmware update in the field
- I/O and trigger control
- Image chunk data
- Stream hold
- Temperature monitoring
- User sets

Technical drawing



Applications

Mako G is suitable for all typical applications in machine vision:

- Robotics
- Quality control
- Inspection, surveillance
- Industrial imaging
- Machine vision
- Logistics