

## **BV-C340MH HDTV Format Monochrome Camera**

**BV-C340MH is a monochrome camera employing 1/1.8-inch 3.2Mega Global shutter CMOS sensor. The output is 1980x1080 pixels and it equips a 3G-SDI/HD-SDI interface. It can be used for FA applications together with a capture board which has the 3G-SDI or HD-SDI interface.**



### **Key Features**

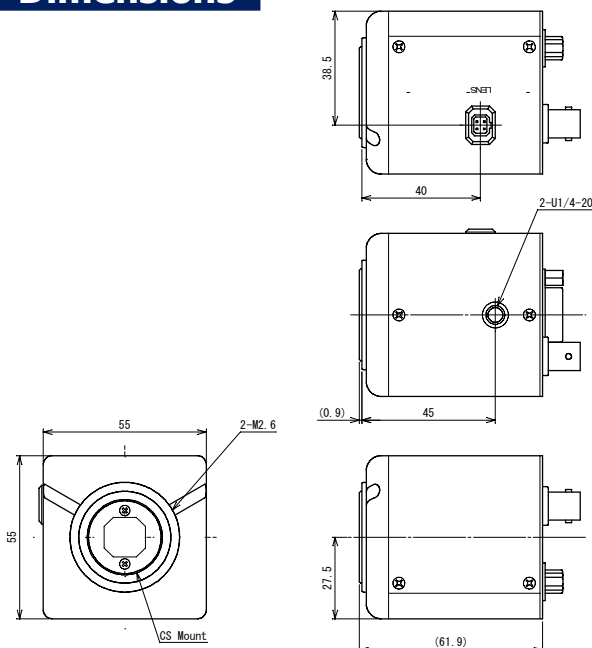
- ◆ Global shutter, 3.2 Mega, 1/1.8-inch, CMOS sensor
- ◆ 1920 x 1080 pixels output through 3G-SDI or HD-SDI interface
- ◆ Full HD outputs featuring 3G-SDI : 1080/60P/50P,  
HD-SDI : 1080/30P/25P, 1080/60i/50i
- ◆ EIA or CCIR output is available for monitoring
- ◆ Maximum 48dB gain up
- ◆ Minimum illumination of 0.008 lux (48dB gain, 1/30 fps, Binning ON)
- ◆ "ALC dual run" function supports a video output control in various lighting conditions by combining auto iris, electronic shutter and AGC
- ◆ Gain up with binning ON/OFF function (960 x 540 pixels image)
- ◆ Placing switches for On Screen Display on the rear panel to set camera functions
- ◆ Various functions to create appropriate images according to objects  
Electronic shutter, Digital noise reduction, Lens shading, Gamma, Auto bright,  
Digital zoom, Fog reduction, Digital image stabilizer, Back light, Freeze,  
NEGA-POSI reverse
- ◆ Control the camera through RS485 interface
- ◆ HD\_CONT\_TOOL is available to control the camera remotely

## Specifications

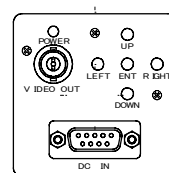
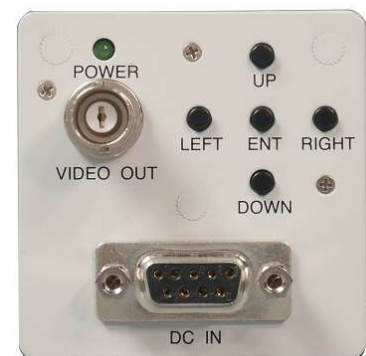
Item & Function	BV-C340MH
Image sensor	1/1.8-inch Monochrome CMOS, Global shutter
Total pixel	2064(H) x 1554(V)
Effective image pixel	1920(H) x 1080(V) Image circle is equivalent to 1/2.35-inch
Scan system	Progressive
Synchronization	Internal
Video output	Digital: 3G-SDI: 1080/60P/50P HD-SDI : 1080/30P/25P, 1080/60i/50i, 720/60P/50P Analog: EIA/CCIR
Minimum illumination	0.008lx (AGC Max 48dB, 1/30 fps, Binning ON, Video level 50IRE)
S/N	50dB (Typical) (AGC off)
Gamma correction	ON:0.45/ OFF:1.0, 0.9~0.4 variable
AGC	Max. 48dB
Electronic shutter	OFF, 1/100, 1/120 ~ 1/10000
Binning	ON/OFF (960 x 540 pixels)
Interface	RS-485
Lens mount	CS mount
Input voltage	DC 12V
Current consumption	280mA
Operating temperature/humidity	-10°C ~ +50°C / 20% ~ 80% (no-condensing)
Storage temperature/humidity	-30°C ~ +70°C / 20% ~ 80% (no-condensing)
Dimensions (WxHxD)	55 x 55 x 61mm (excluding protrusion)
Weight	235g

*Specifications are subject to change without prior notice.*

## Dimensions



## Rear Panel



## BlueVision Co., Ltd.

3-17-2 Shin-Yokohama, Kohoku-ku  
Yokohama-shi, Kanagawa 222-0033 JAPAN  
TEL: 045-471-4595 / FAX: 045-471-4598  
URL: <https://www.bluevision.jp>  
Contact: [sales@bluevision.jp](mailto:sales@bluevision.jp)

