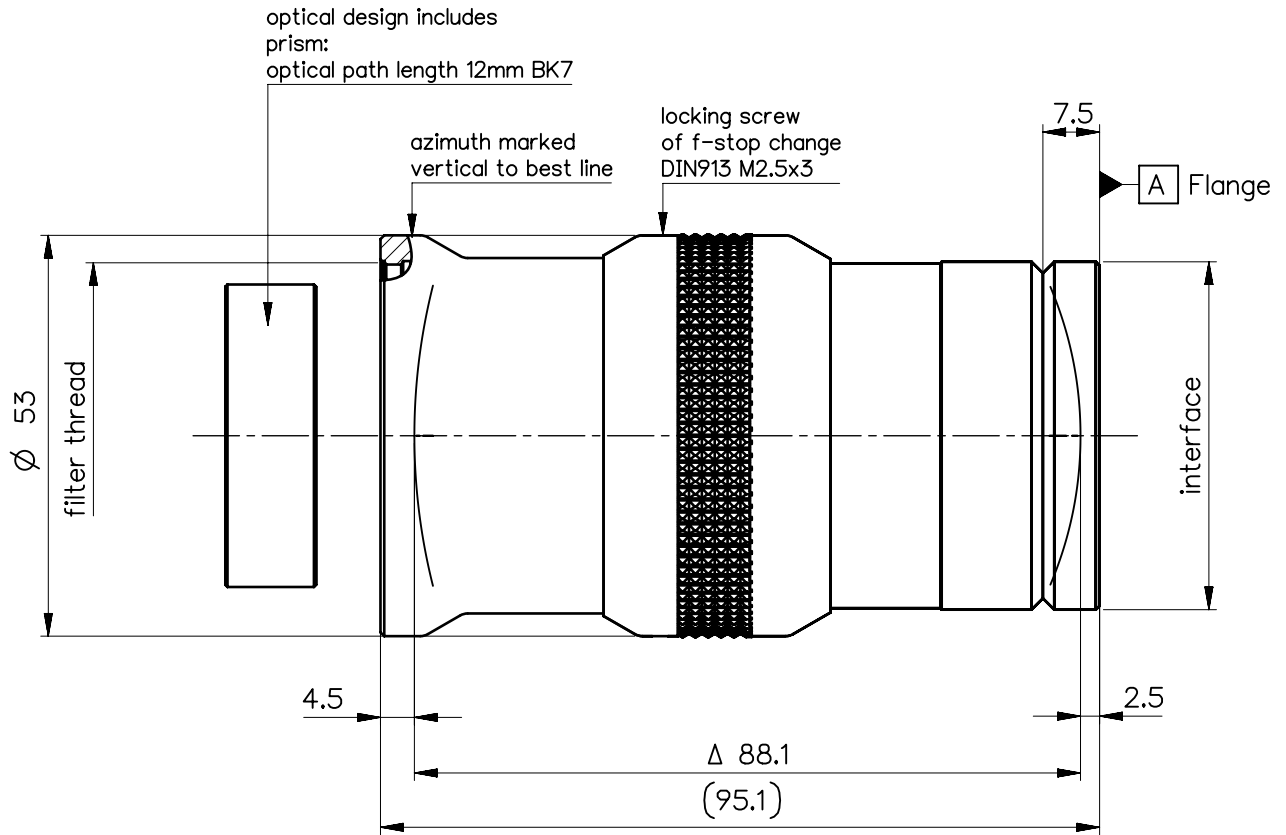


order number	lens name
0703-107-000-20	inspec.x L 4/105 -3.5x prism
0703-107-824-00	inspec.x L prism module

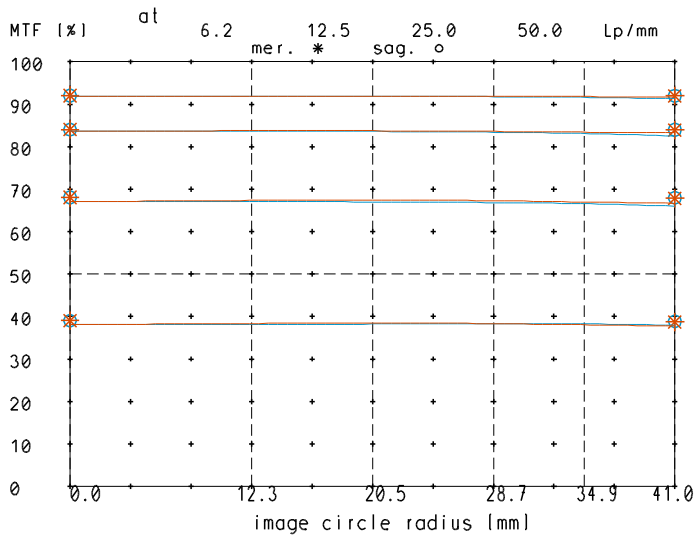


Specification		ON	7604-9371	
image circle max. (mm)	82	working distance (mm)	34 ... 28	
focal length f' (mm)	105.3	interface	V-groove Ø46 h7	
magnification β' [range]	-3.5 [-3.3 ... -4.0]	filter thread	M46 x0.75	
spectral range λ (nm)	400 - 750	weight (g)	440	
schematic diagram		design includes CCD cover glass: yes 0.4mm Suprasil		
*) in air		SF (mm)	-54.4	f-stop
		S'F' (mm) *)	41.3	Ø EnP
		HH' (mm) *)	-26.9	Ø Exp
		SH (mm)	50.9	
		S'H' (mm) *)	-64.0	
		SEnP (mm)	55.6	
		S'Exp (mm) *)	-59.5	

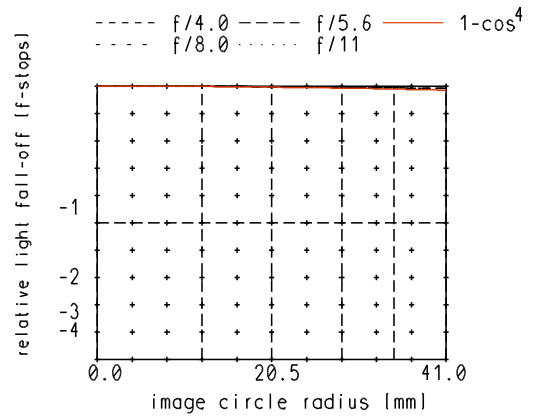
NX PROTECTIVE NOTE "DIN ISO 16016" TO BE OBSERVED	EU-D	AL-T1A	US-D	US-ML	not export controlled
	REV	ECC	DATE	APPROVED	PDM Status Freigabe
	a	Neuausg			-
	b	11-027	01.09.11	Schiffe	SCALE 1:1
	c	11-358	21.02.12	Kuehne	MATERIAL
d	14-0184	21.08.14	Schiffe	BASIC TOLERANCING PRINCIPLE	TITLE
e	15-0640	31.07.15	Bo ll		inspec.x L 4/105 -3.5x prism
				FIRST DATE NAME	prepared for prism use
				ISSUE 22.04.10 Labarte	
				CHKD 22.04.10 Schaeffler	
DIN A 4	ALL DIMENSIONS ARE IN MM AND INCLUDE SURFACE TREATMENT			QI OPTIQ	DRAWING NO. 0703-107-100-00-0001e
				REPLACES	SHEET 1 OF 1

inspec.x_L_4/105_-3.5x_prism

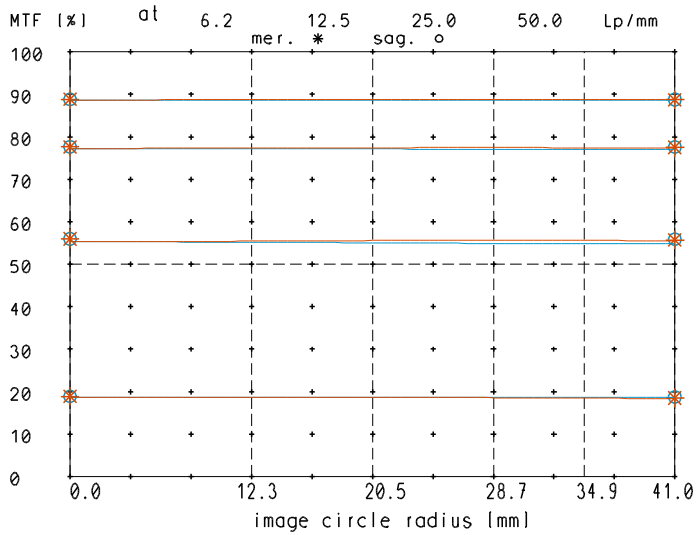
MTF at ratio -3.5 f/ 4.0



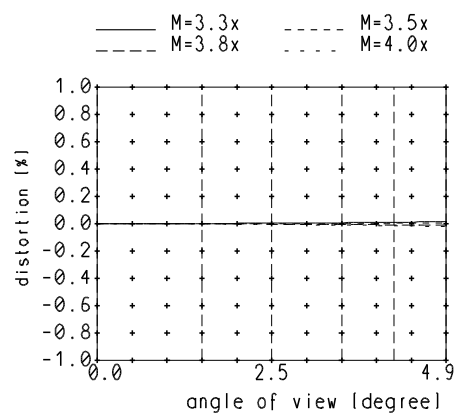
relative light fall-off at ratio -3.5



MTF at ratio -3.5 f/ 5.6

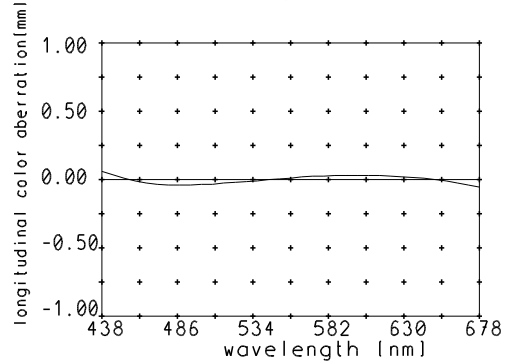


Distortion at ratio 3.3x to 4.0x



— sagittal. o Diffraction limited value
 — meridional * Diffraction limited value

Longitudinal color aberration at ratio -3.5



Named frequencies (line pairs/mm) in modular transfer function (MTF) as well as diagrams of relative light fall-off, distortion and longitudinal color aberration refer to film plane.