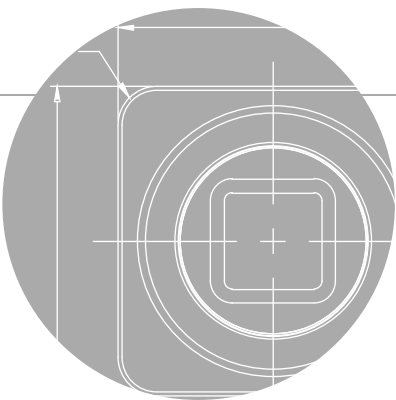


VC series

User Manual

English

VC-5MC-M/C120I
VC-9MC-M/C90I
VC-18MC-M/C45I



VIEWWORKS

Preface

No part of this manual may either be copied, reproduced, translated, or published in any form or by any means (electronic, mechanical, photocopying, or otherwise) without the express written permission of Vieworks, Co., Ltd. (hereinafter 'Vieworks').

This manual may include the website links to companies other than Vieworks. Vieworks is not responsible for any of these links. The copyrights of the materials mentioned herein are owned by each respective author.

Although Vieworks made every effort to ensure the accuracy of this document, it assumes no responsibility for errors or omissions that may appear herein. The figures in this manual may differ depending on the version of the product or operating system, or the way how it runs. Information in this manual is subject to change without notice.

Before Using This Product

Thank you for choosing a camera in the VC-5/9/18MC series™.

- Make sure to read this manual before using the product.
- Make sure to check whatever a professional engineer has finished installation and configuration.
- Make sure to keep this manual at hand as a reference while using the product.
- This manual assumes that you have expertise in how to use an industrial camera.

The Series

This manual is intended for users of the following products:

- VC-5MC-M120I
- VC-5MC-C120I
- VC-9MC-M90I
- VC-9MC-C90I
- VC-18MC-M90I
- VC-18MC-C90I

About This Manual

This manual is intended for VC-5/9/18MC series™ camera users. It is recommended to refer to the Frame Grabber's User Manual of yours, with this manual.

Convention in This Manual

For better understanding, the following conventions are used throughout the manual.

Names and Fonts

The names and fonts of user interfaces are used as follows:

- The menu and icon names in this manual are used as displayed in the product.
- The menu and icon names are marked in **this font**.
- Button or keyboard key names are marked in this font.

Warning, Caution, and Note

This manual shows warnings, cautions, and notes with the following figures:

**Warning!**

This indicates that you need to follow this message for your safety and to prevent the product from damage.

**Caution!**

This indicates that you need to follow this message to prevent data from being lost or corrupted.

**Note:**

This indicates that this message provides additional information.

Definition of Terms

For clarity, this manual defines some terms as follows:

Term	Definition
Preface	The introductory part preceding the Table of Contents in this manual
VC-5/9/18MC series	Indicates the Vieworks' product line including VC-5MX2-M289I, VC-5MX2-C289I, VC-9MX2-M262I, VC-9MX2-C262I, VC-18MX2-M132I, and VC-18MX2-C132I

Revision History

This document has the revision history as follows:

Version	Date	Description
1.0	2021-12-31	Initial Release

Contents

Chapter 1. Precautions	15
Chapter 2. Warranty	17
Chapter 3. Compliance & Certifications	18
3.1 FCC Compliance.....	18
3.2 CE : DoC.....	18
3.3 KC	18
Chapter 4. Package Components.....	19
Chapter 5. Product Specifications.....	20
5.1 Overview.....	20
5.2 Specifications	21
5.3 Camera Block Diagram	22
5.4 Spectral Response	23
5.5 Mechanical Specification	24
Chapter 6. Connecting the Camera.....	25
6.1 Precaution about Blurring Compared to the Center.....	25
6.2 Controlling the Camera.....	26
Chapter 7. Camera Interface.....	27
7.1 General Description.....	27
7.2 Camera Link SDR Connector.....	28
7.3 Power Input and Control I/O Receptacle	30
7.4 Trigger Input Circuit.....	31
7.5 Strobe Output Circuit	31
Chapter 8. Acquisition Control.....	32
8.1 Overview.....	32
8.2 Acquisition Start/Stop Commands and Acquisition Mode.....	33
8.2.1 Acquisition Start/Stop Commands.....	33
8.2.2 Acquisition Mode.....	33
8.2.3 Exposure Start Trigger	34

8.2.4	Applying Trigger Signals	35
8.2.5	Exposure Time Control.....	36
8.3	Exposure Start Trigger	36
8.3.1	Trigger Mode	36
8.3.2	Using a Software Trigger Signal.....	40
8.3.3	Using a CC1 Trigger Signal.....	41
8.3.4	Using an External Trigger Signal	42
8.3.5	Exposure Mode	44
8.4	Setting the Exposure Time	46
8.5	Overlapping Exposure with Sensor Readout	47
8.6	Global Shutter	49
8.7	Maximum Allowed Frame Rate.....	50
8.7.1	Increasing the Maximum Allowed Frame Rate	51
Chapter 9. Camera Features.....		52
9.1	Region of Interest	52
9.2	Multi-ROI.....	55
9.3	Device Tap Geometry.....	58
9.4	Pixel Format.....	59
9.5	Data ROI (Color Camera).....	60
9.6	White Balance (Color Camera)	61
9.6.1	Balance White Auto	61
9.7	Gain and Black Level	62
9.8	Defective Pixel Correction	63
9.8.1	Correction Method.....	63
9.9	Dark Signal Non-uniformity Correction	64
9.9.1	Generating and Saving User DSNU Correction Values	65
9.10	Photo Response Non-uniformity Correction	66
9.10.1	Generating and Saving User PRNU Correction Values	67
9.11	Flat Field Correction.....	68

9.11.1 Flat Field Data Selector	70
9.12 Digital I/O Control	72
9.13 Debounce.....	74
9.14 Timer Control	75
9.15 Counter Control	77
9.16 Temperature Monitor.....	78
9.17 Status LED.....	79
9.18 Test Pattern	79
9.19 Reverse X.....	81
9.20 Reverse Y.....	81
9.21 Device Link Throughput Limit.....	83
9.22 Device User ID	83
9.23 Device Reset	83
9.24 Field Upgrade.....	84
9.25 User Set Control.....	84
Chapter 10. Troubleshooting.....	86
Appendix A. Defective Pixel Map Download	87
Appendix B. Field Upgrade.....	88
Appendix C. Index	89

Tables

Table 5-1	Specifications of the VC-5/9/18MC series	21
Table 7-1	Pin Assignments for Camera Link Connector 1	28
Table 7-2	Pin Assignments for Camera Link Connector 2.....	29
Table 7-3	Connector Arrangement for the Device Tap Geometry	29
Table 7-4	Pin Configurations for Power Input Receptacle	30
Table 8-1	Minimum and Maximum Exposure Time Setting	46
Table 9-1	XML Parameters related to ROI	53
Table 9-2	Minimum ROI Width and Height Settings.....	53
Table 9-3	Maximum Frame Rates by ROI Changes (on VC-5MC-M/C120I)	54
Table 9-4	Maximum Frame Rates by ROI Changes (on VC-9MC-M/C90I)	54
Table 9-5	Maximum Frame Rates by ROI Changes (on VC-18MC-M/C45I)	54
Table 9-6	XML parameters related to Multi-ROI.....	55
Table 9-7	XML Parameter related to Device Tap Geometry	58
Table 9-8	XML Parameter related to Pixel Format	59
Table 9-9	Pixel Format Values	59
Table 9-10	XML Parameters related to Data ROI.....	60
Table 9-11	XML Parameters related to White Balance.....	61
Table 9-12	XML Parameter related to Balance White Auto.....	61
Table 9-13	XML Parameters related to Gain and Black Level	62
Table 9-14	Calculation of Defect Pixel Correction Value	63
Table 9-15	XML Parameters related to DSNU	64
Table 9-16	XML Parameters related to PRNU	66
Table 9-17	XML Parameters related to Flat Field Correction.....	70
Table 9-18	XML Parameters related to Digital I/O Control	72

Table 9-19	XML Parameter related to Debounce Time	74
Table 9-20	XML Parameters related to Timer Control.....	75
Table 9-21	XML Parameters related to Counter Control #1	77
Table 9-21	XML Parameters related to Counter Control #2.....	78
Table 9-22	XML Parameters related to Device Temperature.....	78
Table 9-23	Status LED	79
Table 9-24	XML Parameter related to Test Pattern.....	79
Table 9-25	XML Parameter related to Reverse X.....	81
Table 9-26	XML Parameter related to Reverse Y	81
Table 9-27	XML Parameter related to Device Link Throughput Limit	83
Table 9-28	XML Parameter related to Device User ID.....	83
Table 9-29	XML Parameter related to Device Reset.....	83
Table 9-30	XML Parameters related to User Set Control	84

Figures

Figure 5-1	Camera Block Diagram.....	22
Figure 5-2	Spectral Response for VC-5M/8M Series.....	23
Figure 5-3	Spectral Response for VC-18M series.....	23
Figure 5-4	VP-152MX2-M16 Mechanical Dimension.....	24
Figure 7-1	VC-5/9/18MC series' Back Panel.....	27
Figure 7-2	Micro-BNC Connector.....	28
Figure 7-3	Pin Assignments for Power Input Receptacle.....	30
Figure 7-4	Trigger Input Schematic.....	31
Figure 7-5	Strobe Output Schematic.....	31
Figure 8-1	Exposure Start Triggering.....	34
Figure 8-2	Frame Acquisition with Software Trigger Signal.....	40
Figure 8-3	External Trigger Delay.....	43
Figure 8-4	Timed Exposure Mode.....	44
Figure 8-5	Trigger Overlapped with Timed Exposure Mode.....	44
Figure 8-6	Trigger Width Exposure Mode.....	45
Figure 8-7	Overlapped Exposure and Readout.....	47
Figure 8-8	Global Shutter.....	49
Figure 9-1	Region of Interest.....	52
Figure 9-2	Multi-ROI.....	56
Figure 9-4	Device Tap Geometry.....	58
Figure 9-5	VC-5/9/18MC series' Pixel Format.....	59
Figure 9-6	Effective Data ROI.....	60
Figure 9-7	Location of Defect Pixel to be corrected.....	63
Figure 9-8	Generation and Application of Flat Field Data.....	69

Figure 9-9	Bilinear Interpolated Magnification.....	69
Figure 9-10	Flat Field Data Selector.....	70
Figure 9-11	User Output	72
Figure 9-12	Exposure Active Signal.....	73
Figure 9-13	Debounce	74
Figure 9-14	Timer Signal.....	76
Figure 9-15	Grey Horizontal Ramp	79
Figure 9-16	Grey Diagonal Ramp	80
Figure 9-17	Grey Diagonal Ramp Moving.....	80
Figure 9-18	Sensor Specific	80
Figure 9-19	Original Image	81
Figure 9-20	Reverse X Image.....	81
Figure 9-21	Original Image	82
Figure 9-22	Reverse Y Image.....	82
Figure 9-23	User Set Control.....	85

Chapter 1. Precautions

General



- Do not drop, disassemble, repair or alter the device. Doing so may damage the camera electronics and cause an electric shock.
 - Do not let children or companion animals touch the device without supervision.
 - Stop using the device and contact the nearest dealer or manufacturer for technical assistance if liquid such as water, drinks or chemicals gets into the device.
 - Do not touch the device with wet hands. Doing so may cause an electric shock.
 - Make sure that the temperature of the camera does not exceed the temperature range specified in [5.2 Specifications](#). Otherwise the device may be damaged by extreme temperature.
-

Installation and Maintenance



- Do not install in dusty or dirty areas - or near an air conditioner or heater to reduce the risk of damage to the device.
 - Avoid installing and operating in an extreme environment where vibration, heat, humidity, dust, strong magnetic fields, explosive/corrosive mists or gases are present.
 - Do not apply excessive vibration and shock to the device. This may damage the device.
 - Avoid direct exposure to a high intensity light source. This may damage the image sensor.
 - Do not install the device under unstable lighting conditions. Severe lighting change will affect the quality of the image produced by the device.
 - Do not use solvents or thinners to clean the surface of the device. This can damage the surface finish.
-

Power Supply



- Applying incorrect power can damage the camera. If the voltage applied to the camera is greater or less than the camera's nominal voltage, the camera may be damaged or operate erratically. Please refer to [5.2 Specifications](#) for the camera's nominal voltage.
 - ※ Vieworks Co., Ltd. does NOT provide power supplies with the devices.
 - Make sure the power is turned off before connecting the power cord to the camera. Otherwise, damage to the camera may result.
-

Cleaning the Sensor Surface

Avoid cleaning the surface of the camera's sensor if possible. If you have dust or foreign matter on the sensor surface that will not blow off, use a soft lint free cotton bud dampened with a small quantity of high quality lens cleaner. Because electrostatic discharge (ESD) can damage the sensor, you must use a cloth (e.g. cotton) that will not generate static during cleaning.



Avoid dust or foreign matter on the sensor surface.

The camera is shipped with a protective film sticker on the camera front. To prevent collecting dust or foreign matter on the camera sensor, make sure that you always put a plastic protective seal in place when there is no lens mounted on the camera. In addition, make sure to always point the camera downward when there is no protective seal on the camera front or no lens mounted.

Procedures for Cleaning the Sensor

If you have dust or foreign matter on the sensor surface, follow the procedures below to wipe off.

1. Remove a contaminant by using an ionizing air gun.
If this step does not remove the contaminant, proceed to the next step.
2. Clean the contaminant on the sensor using one drop of lens cleaner on a non-fluffy cotton bud.
3. Wipe the cotton bud gently in only one direction (either left to right or right to left). Avoid wiping back and forth with the same cotton bud in order to ensure that the contaminants are removed and not simply transferred to a new location on the sensor surface.
4. Mount a lens, set the lens at a smaller aperture (e.g. F8), and then acquire images under bright lighting conditions. Check the images on the monitor for dark spots or stripes caused by the contaminant. Repeat the steps above until there is no contaminant present.



Caution!

If the sensor is damaged due to electrostatic discharge or the sensor surface is scratched during cleaning, the warranty is void.

Chapter 2. Warranty

Do not open the housing of the camera. The warranty becomes void if the housing is opened. For information about the warranty, please contact your local dealer or factory representative.

Chapter 3. Compliance & Certifications

3.1 FCC Compliance

This equipment has been tested and found to comply with the limits for a Class A digital device, pursuant to part 15 of the FCC Rules. These limits are designed to provide reasonable protection against harmful interference when the equipment is operated in a commercial environment. This equipment generates, uses, and can radiate radio frequency energy and, if not installed and used in accordance with the instruction manual, may cause harmful interference to radio communications. Operation of this equipment in a residential area is likely to cause harmful interference in which case the user will be required to correct the interference at his own expenses.

3.2 CE : DoC

EMC Directive 2014/30/EU

EN 55032:2012 (Class A), EN 55024:2010

Class A

3.3 KC

KCC Statement

Type	Description
Class A (Broadcasting Communication Device for Office Use)	This device obtained EMC registration for office use (Class A), and may be used in places other than home. Sellers and/or users need to take note of this.

Chapter 4. Package Components

Package Components



A camera in the VC-5/9/18MC series

Chapter 5. Product Specifications

5.1 Overview

The VC-5/9/18MC series, the latest model of the industrial proven VC series, is a new 5/9/18 megapixel resolution CMOS camera with the Camera Link interface. The VC-5/9/18MC series uses the latest CMOS global shutter image sensor(GMAX2505/GMAX2509/GMAX2518) technology from Gpixel, and it offers up to 120.6 frames per second at 2,600 × 2,160 resolution in the case of VC-5MC-12I. These combinations of high resolution, high speed and global shutter set a new standard for industrial, scientific and surveillance digital imaging applications. Equipped with the Vieworks' innovative technologies proved by world's top FPD manufacturers, the camera in the VC-5/9/18MC series offers not only highly uniformed images but also high speed image processing capabilities. Featured with high quality image uniformity and high resolution, this camera is ideal for wide range of demanding applications such as FPD, PCB and semiconductor inspections.

Main Features

- High Speed 5/9/18 Megapixel CMOS Image Sensor
- Electronic Exposure Time Control (Global Shutter)
- Output Pixel Format: 8/10/12 bit
- Line Output
- Camera Link Base / Medium / Full / 10 Tap
- Device Tap Geometry: 2/4/8/10 Tap
- Gain / Black Level Control
- Test Pattern
- Temperature Monitor
- Field Upgrade
- DSNU and PRNU Correction
- Flat Field Correction
- GenICam Compatible – XML based Control

5.2 Specifications

Technical specifications for the VC-5/9/18MC series are as follows.

Specifications	5M	9M	18M
Resolution (H × V)	2600 × 2160	4200 × 2160	4504 × 4096
Sensor	GMAX2505	GMAX2509	GMAX2518
Sensor Size (diagonal)	6.5 mm × 5.4 mm (8.45 mm)	10.5 mm × 5.4 mm (11.8 mm)	11.27 mm × 10.24 mm (15.22 mm)
Sensor Type	CMOS Image Sensor		
Pixel size	2.5 μm × 2.5 μm		
Interface	Camera Link Base / Medium / Full / 10 Tap, 26-pin SDR Connector		
Max. Frame Rate	2 Tap	29.7 fps	18.4 fps
	4 Tap	58.7 fps	36.5 fps
	8 Tap	114.6 fps	72.0 fps
	10 Tap	120.6 fps	90.7 fps
Exposure Time(1 μs step)	1 μs ~ 60s	1 μs ~ 60s	1 μs ~ 60s
Partial Scan(Max. Speed)	11695.9 fps at 2 Lines, 10 Tap	8796.2 fps at 2 Lines, 10 Tap	6172.8 fps at 2 Lines, 10 Tap
Data Output Mode	8 bit(2/4/8/ 10 Tap), 10 bit(2/4/8 Tap), 12 bit(2/4 Tap)		
Pixel Data Format	Mono 8/10/12 bit, Color GB Bayer 8/10/12 bit		
Electronic Shutter	Global Shutter		
Digital Gain	×1 ~×32		
Digital Black Level	0 ~ 255 LSB at 12 bit (1 LSB step)		
Exposure Mode	Free-Run, Timed, Trigger Width		
External Trigger	3.3 ~ 24.0 V, 10mA, Logical Level Input Optically Isolated		
Software Trigger	Asynchronous, Programmable via Camera API		
Digital IO	TTL Level Exposure Active, Frame Active, User Output, Timer, Strobe Output		
Dynamic Range	65 dB		
Mechanical (W × H × L)	40.0 mm × 40.0 mm × 51 mm, 130 g (C-mount)		
Environmental	Operating: 0°C ~ 40°C, Storage: -40°C ~ 70°C		
Lens Mount	C-mount		
Power	11~24V DC, Typ. 6 W, PoCL supported		
Compliance	CE, FCC, KC		

Table 5-1 Specifications of the VC-5/9/18MC series

5.3 Camera Block Diagram

The block diagram of the VC-5/9/18MC series is shown below.

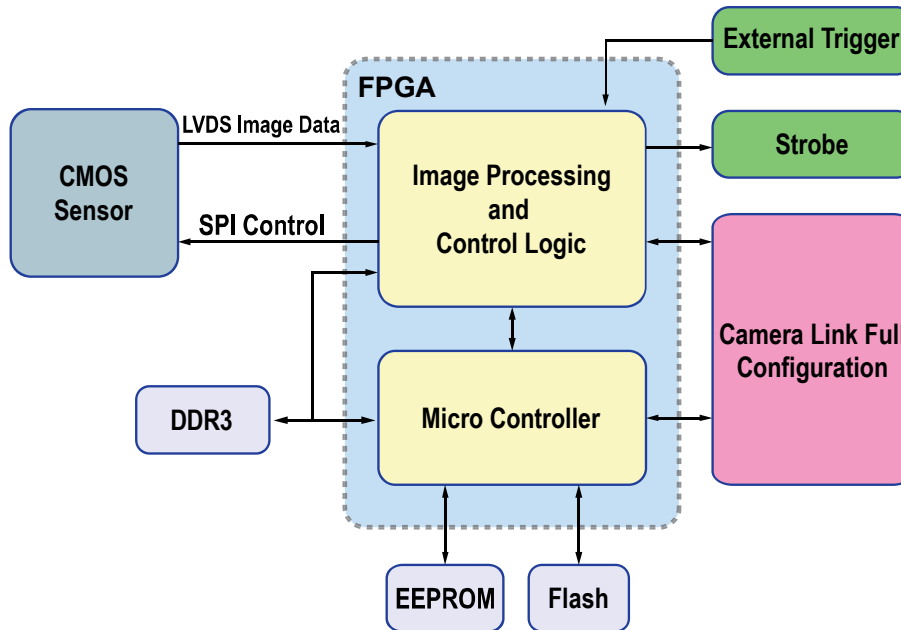


Figure 5-1 Camera Block Diagram

All controls and data processing of a camera in the VC-5/9/18MC series are carried out in one FPGA chip. The FPGA generally consists of a 32-bit RISC Micro-Controller and Processing & Control logic. The Micro-Controller receives commands from the user through the Camera Link interface and then processes them. The Processing & Control logic processes the image data received from the CMOS image sensor and then transmits data through the Camera Link interface. The Processing & Control logic also controls time-sensitive trigger inputs and output signals. Furthermore, Flash and DDR3 are installed outside FPGA. The DDR3 is used for the frame buffer to process images and the Flash stores the firmware to operate the Micro-Controller.

5.4 Spectral Response

The following graphs show the spectral response of the color and monochrome cameras in the VC-5/9/18MC series.

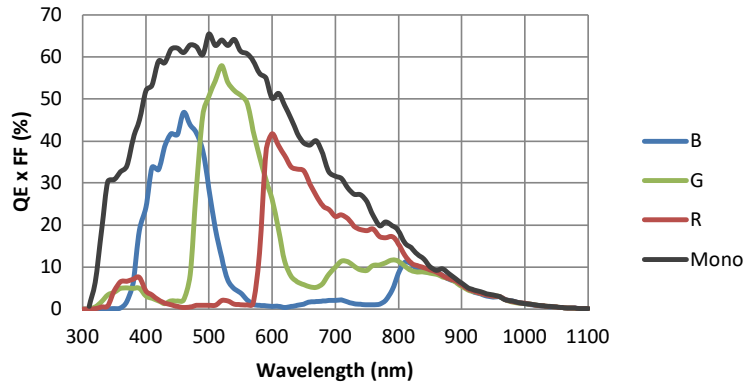


Figure 5-2 Spectral Response for VC-5M/8M Series

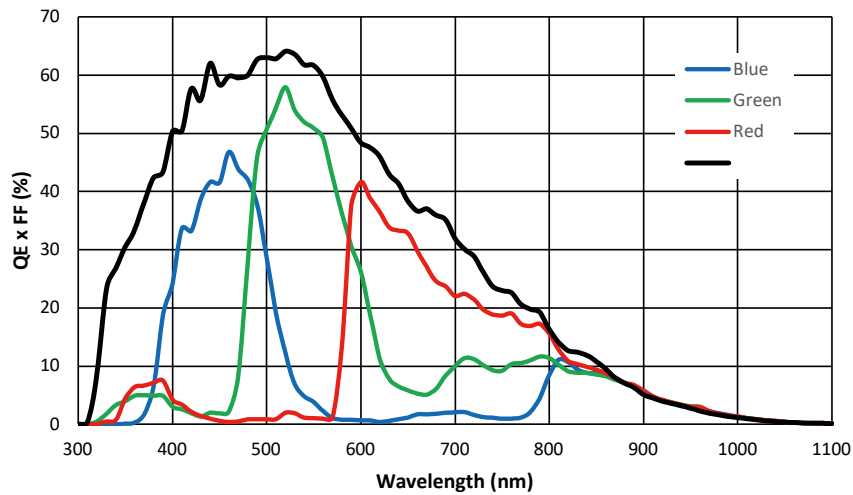


Figure 5-3 Spectral Response for VC-18M series

5.5 Mechanical Specification

The camera dimensions in millimeters are shown in the following figure.

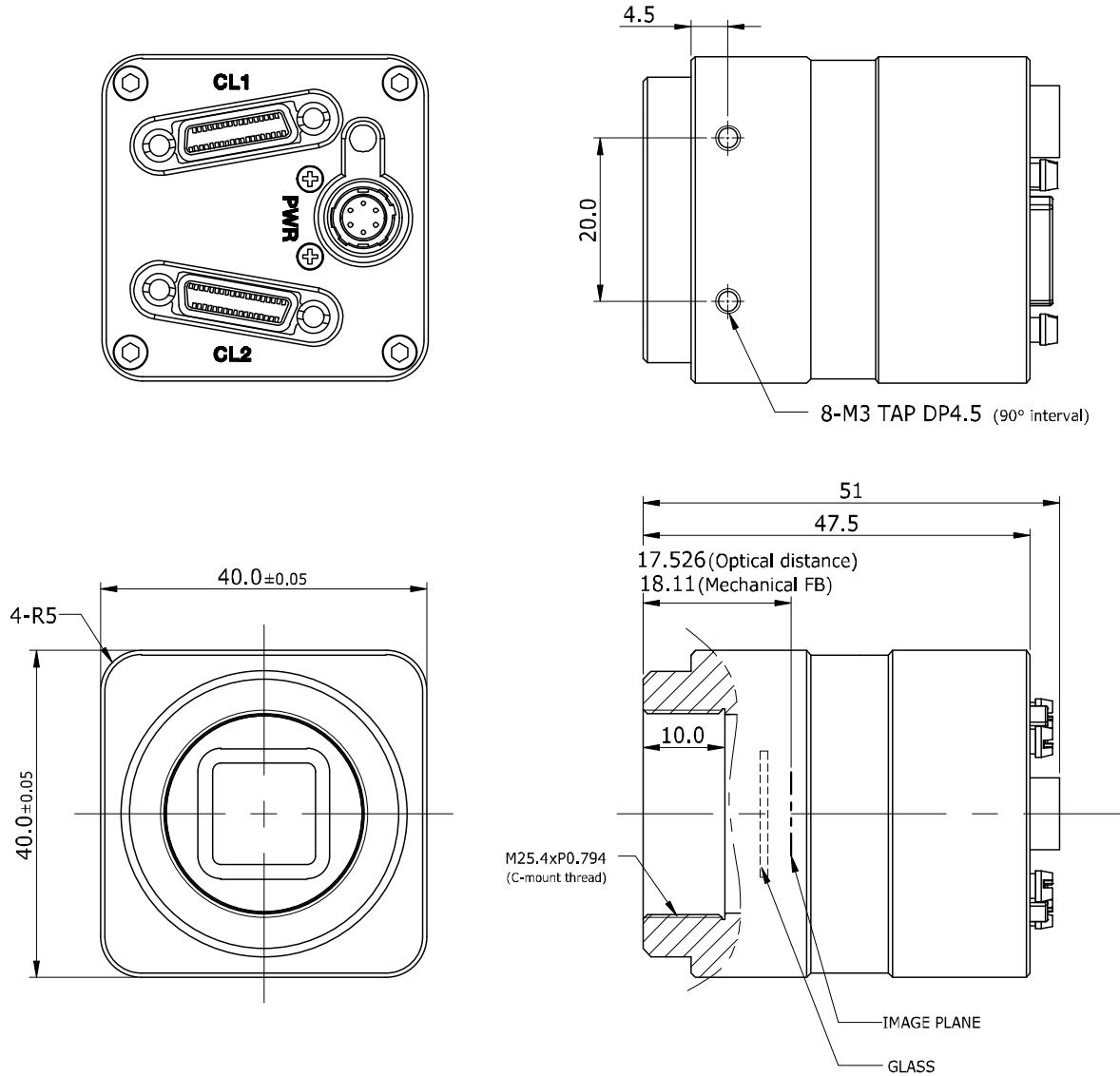


Figure 5-4 VC-5/9/18MC series Mechanical Dimension

Chapter 6. Connecting the Camera

The following instructions assume that you have installed a Camera Link frame grabber in your computer including related software. For more information, refer to your Camera Link frame grabber user manual.

To connect the camera to your computer, follow the steps below:

1. Make sure that the power supply is not connected to the camera and your computer is turned off.
2. Plug one end of a Camera Link cable into the Camera Link1 connector on the camera and the other end of the Camera Link cable into the Base connector on the Camera Link frame grabber.
3. Plug one end of the other Camera Link cable into the Camera Link2 connector on the camera and the other end of the Camera Link cable into the Medium/Full connector on the Camera Link frame grabber.
4. Connect the plug of the power adapter to the power input receptacle on the camera.
5. Plug the power adapter into a working electrical outlet.
6. Verify all the cable connections are secure.

Precautions for using Camera Link Medium / Full / 10 Tap Configuration



Caution!

The VC-5/9/18MC series supports the Camera Link Base / Medium / Full / 10 Tap configuration. To operate the camera in the medium, full or 10 tap configuration, you must connect the camera to the Camera Link frame grabber using two Camera Link cables. Make sure that you connect both Camera Link1 (Base) and Camera Link2 (Medium/Full) connectors on the camera to their respective connectors on the Camera Link frame grabber.

6.1 Precaution about Blurring Compared to the Center

- Users do not need to adjust the tilt as it is adjusted as factory default settings.
- If the tilt settings need to be adjusted inevitably, please contact your local dealer or factory representative for technical support.

6.2 Controlling the Camera

- You can control the camera by using the Configurator.
- You may be able to download the latest Configurator by contacting the manufacturer of your frame grabber.
- Please refer to your Camera Link frame grabber user manual.

Chapter 7. Camera Interface

7.1 General Description

As shown in the following figure, three types of connectors and an LED indicator are located on the back of the camera and have the functions as follows:

- | | |
|---|---|
| ① 26 pin SDR Connector 1 (Camera Link Base): | transmits video data and controls the camera. |
| ② Status LED: | displays power status and operation mode. |
| ③ 6-pin Power Input and Control I/O Receptacle: | supplies power to the camera and can be set to operate as an input and output line. |
| ④ 26 pin SDR Connector 2 (Camera Link Medium/Full): | transmits video data. |

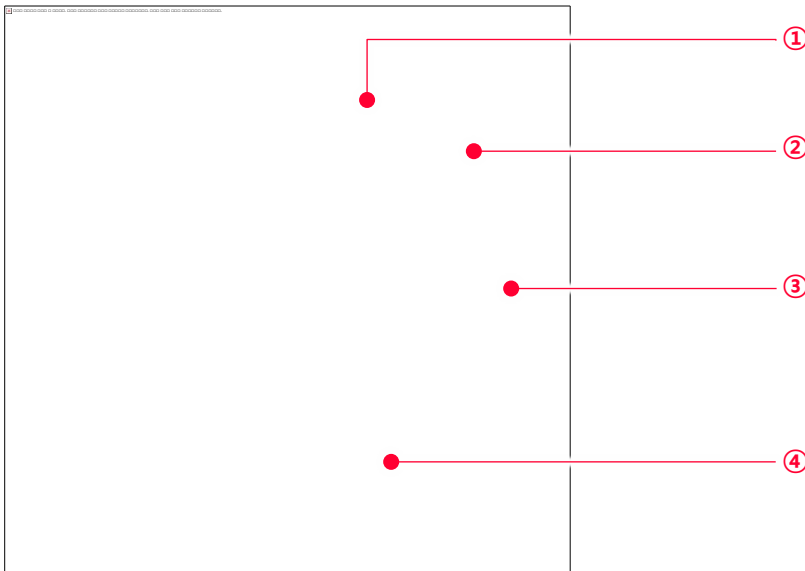


Figure 7-1 VC-5/9/18MC series' Back Panel

7.2 Camera Link SDR Connector

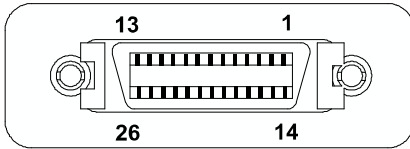


Figure 7-2 Micro-BNC Connector

The Camera Link connectors on the camera comply with the Camera Link standard and the following lists show the pin assignments of the connectors.

PAIR List	Pin	Signal Name	Type	Description
PAIR 0	1	Ground	Ground	Cable Shield
	14	Ground	Ground	Cable Shield
PAIR 1	2	-X0	LVDS - Out	Camera Link Transmitter
	15	+X0	LVDS - Out	Camera Link Transmitter
PAIR 2	3	-X1	LVDS - Out	Camera Link Transmitter
	16	+X1	LVDS - Out	Camera Link Transmitter
PAIR 3	4	-X2	LVDS - Out	Camera Link Transmitter
	17	+X2	LVDS - Out	Camera Link Transmitter
PAIR 4	5	-XCLK	LVDS - Out	Camera Link Transmitter
	18	+XCLK	LVDS - Out	Camera Link Transmitter
PAIR 5	6	-X3	LVDS - Out	Camera Link Transmitter
	19	+X3	LVDS - Out	Camera Link Transmitter
PAIR 6	7	+ SerTC	LVDS - In	Serial Data Receiver
	20	- SerTC	LVDS - In	Serial Data Receiver
PAIR 7	8	- SerTFG	LVDS - Out	Serial Data Transmitter
	21	+ SerTFG	LVDS - Out	Serial Data Transmitter
PAIR 8	9	- CC 1	LVDS - In	Software External Trigger
	22	+ CC 1	LVDS - In	Software External Trigger
PAIR 9	10	N/C	N/C	N/C
	23	N/C	N/C	N/C
PAIR 10	11	N/C	N/C	N/C
	24	N/C	N/C	N/C
PAIR 11	12	N/C	N/C	N/C
	25	N/C	N/C	N/C
PAIR 12	13	Ground	Ground	Cable Shield
	26	Ground	Ground	Cable Shield

Table 7-1 Pin Assignments for Camera Link Connector 1

PAIR List	Pin	Signal Name	Type	Description
PAIR 0	1	Ground	Ground	Cable Shield
	14	Ground	Ground	Cable Shield
PAIR 1	2	-Y0	LVDS - Out	Camera Link Transmitter
	15	+Y0	LVDS - Out	Camera Link Transmitter
PAIR 2	3	-Y1	LVDS - Out	Camera Link Transmitter
	16	+Y1	LVDS - Out	Camera Link Transmitter
PAIR 3	4	-Y2	LVDS - Out	Camera Link Transmitter
	17	+Y2	LVDS - Out	Camera Link Transmitter
PAIR 4	5	-YCLK	LVDS - Out	Camera Link Transmitter
	18	+YCLK	LVDS - Out	Camera Link Clock Tx
PAIR 5	6	-Y3	LVDS - Out	Camera Link Channel Tx
	19	+Y3	LVDS - Out	Camera Link Channel Tx
PAIR 6	7	-	Not Used	Connected with 100 ohm
	20	-	Not Used	
PAIR 7	8	-Z0	LVDS - Out	Camera Link Transmitter
	21	+Z0	LVDS - Out	Camera Link Transmitter
PAIR 8	9	-Z1	LVDS - Out	Camera Link Transmitter
	22	+Z1	LVDS - Out	Camera Link Transmitter
PAIR 9	10	-Z2	LVDS - Out	Camera Link Transmitter
	23	+Z2	LVDS - Out	Camera Link Transmitter
PAIR 10	11	-ZCLK	LVDS - Out	Camera Link Transmitter
	24	+ZCLK	LVDS - Out	Camera Link Clock Tx
PAIR 11	12	-Z3	LVDS - Out	Camera Link Channel Tx
	25	+Z3	LVDS - Out	Camera Link Channel Tx
PAIR 12	13	Ground	Ground	Cable Shield
	26	Ground	Ground	Cable Shield

Table 7-2 Pin Assignments for Camera Link Connector 2

Model	Device Tap Geometry	CL Configuration	CL Connector 1	CL Connector 2
VC-	2 Tap	BASE	○	X
5/9/18	4 Tap	MEDIUM	○	○
MC	8 Tap	FULL	○	○
series	10 Tap	10 Tap	○	○

Table 7-3 Connector Arrangement for the Device Tap Geometry

**Note:**

When you connect a Camera Link frame grabber to the Camera Link connectors on the camera using Camera Link cables, make sure you connect the cables to their correct connectors. If you connect the Camera Link connector 1 on the camera to a connector other than connector 1 of the Camera Link frame grabber, the camera may not transmit images correctly or the serial communication between the camera and the computer may fail.

7.3 Power Input and Control I/O Receptacle

The power input and control I/O receptacle is a 6-pin connector (part # HR10A-7R-6PB). The pin assignments and configurations are as follows:

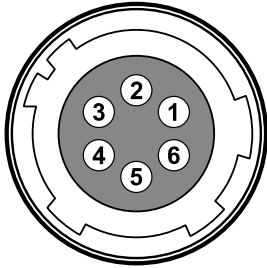


Figure 7-3 Pin Assignments for Power Input Receptacle

Pin Number	Signal	Type	Description
1	+ 12V DC	Input	DC Power Input
2	Trigger Input +	Input	-
3	Trigger Input -	Input	-
4	I/O Output+	Output	-
5	I/O Output-	Output	-
6	DC Ground	Input	DC Ground

Table 7-4 Pin Configurations for Power Input Receptacle



Note:

- A recommended mating connector for the Hirose 6-pin connector is the Hirose 6-pin plug (part # HR10A-7P-6S) or the equivalent.
- It is recommended that you use the power adapter, which has at least 3 A current output at 12 V DC $\pm 10\%$ voltage output (You need to purchase a power adapter separately.).

Precaution for Power Input



Caution!

- Make sure the power is turned off before connecting the power cord to the camera. Otherwise, damage to the camera may result.
- If the voltage applied to the camera is greater than specified in the specifications, damage to the camera may result.

7.4 Trigger Input Circuit

The following figure shows trigger signal input circuit of the 6-pin connector. Transmitted trigger signal is applied to the internal circuit through a photo coupler. With the Debounce feature, you can specify the width of input signal to be considered as a valid input signal. An external trigger circuit example is shown below.

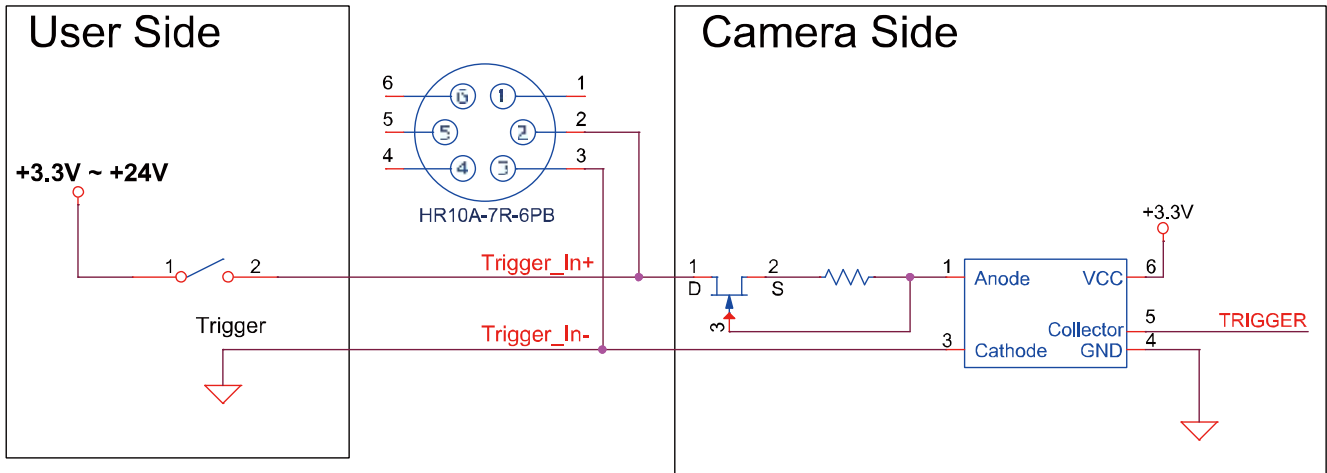


Figure 7-4 Trigger Input Schematic

7.5 Strobe Output Circuit

The strobe output signal comes out through a 3.3 V output level of TTL Driver IC. A pulse width of signal is synchronized with an exposure (shutter) signal of the camera, and comes out.

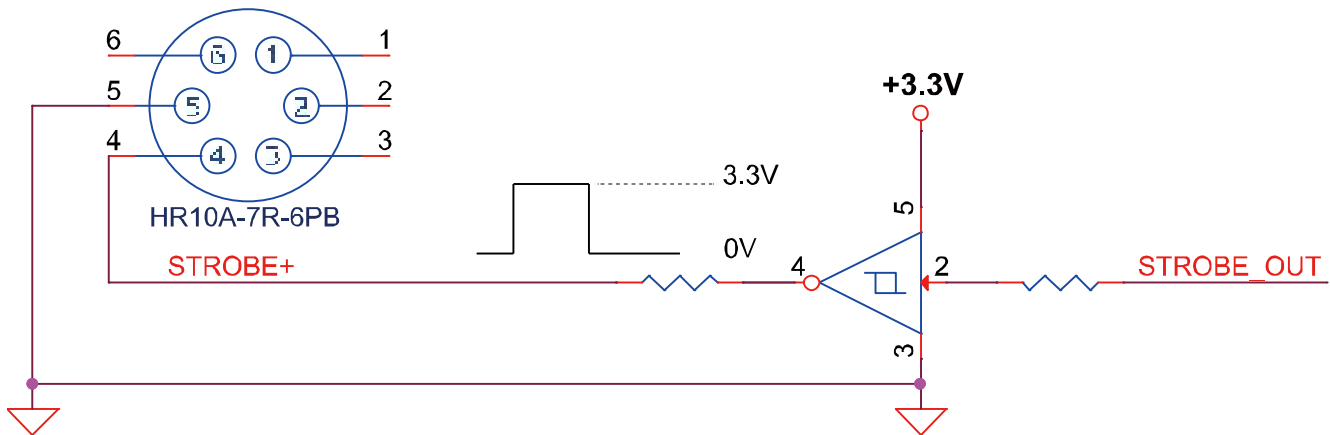


Figure 7-5 Strobe Output Schematic

Chapter 8. Acquisition Control

This chapter provides detailed information about controlling image acquisition.

- Triggering image acquisition
- Setting the exposure time
- Controlling the camera's image acquisition rate
- Variation of the camera's maximum allowed image acquisition rate according to the camera settings

8.1 Overview

This section presents an overview of the elements involved with controlling the acquisition of images.

The followings are involved in controlling the acquisition of images.

- Acquisition Start and Acquisition Stop commands and the Acquisition Mode parameter
- Exposure start trigger
- Exposure time control
- Frame acquisition process on the camera
- Global shutter
- Maximum Allowed Frame Rate

**Note:**

A recommended mating connector for the Hirose 4-pin connector is the Hirose 4-pin plug (part # HR10A-7P-4P) or the equivalent.

8.2 Acquisition Start/Stop Commands and Acquisition Mode

This section describes function available to use via the followings:

- Acquisition Start/Stop commands
- Acquisition Mode

The details about each item above is described in the order from the following section.

8.2.1 Acquisition Start/Stop Commands

The **Acquisition Start** command prepares the camera to acquire images. The camera cannot acquire images unless an **Acquisition Start** command has first been executed.

Executing an **Acquisition Stop** command terminates the camera's ability to acquire images.

8.2.2 Acquisition Mode

The **Acquisition Mode** parameter affects directly how the **Acquisition Start** command works. There are three of types available to select in this parameter as follows:

- **Continuous:**
Acquires frames continuously once the **Acquisition Start** command is called until the **Acquisition Stop** command is called.
- **SingleFrame:**
Acquires one single frame after the **Acquisition Start** command is called, and then, finishes acquiring images with calling the **Acquisition Stop** command automatically.
- **MultiFrame:**
Acquires frames as many as the numbers designated on the **AcquisitionFrameCount** parameter after the **Acquisition Start** command is called, and then, finishes acquiring images with calling the **Acquisition Stop** command automatically.

**Note:**

The **Acquisition Start** command will remain in effect until you execute an **Acquisition Stop** command. Once an **Acquisition Stop** command has been executed, the camera will not be able to acquire frames until a new **Acquisition Start** command is executed. If a user calls an **Acquisition Stop** command on the way of image acquisition, the work will finish after finishing the ongoing acquisition all.

8.2.3 Exposure Start Trigger

Applying an exposure start trigger signal to the camera will exit the camera from the waiting for exposure start trigger acquisition status and will begin the process of exposing and reading out a frame (see [Figure 8-1](#)). As soon as the camera is ready to accept another exposure start trigger signal, it will return to the waiting for exposure start trigger acquisition status. A new exposure start trigger signal can then be applied to the camera to begin another frame exposure. The exposure start trigger has two modes: off and on.

If the **Trigger Mode** parameter is set to **Off**, the camera will generate all required exposure start trigger signals internally, and you do not need to apply exposure start trigger signals to the camera. The rate at which the camera will generate the signals and acquire frames will be determined by the way that you set several frame rate related parameters.

If the **Trigger Mode** parameter is set to **On**, you must trigger exposure start by applying exposure start trigger signals to the camera. Each time a trigger signal is applied, the camera will begin a frame exposure. When exposure start is being triggered in this manner, it is important that you do not attempt to trigger frames at a rate that is greater than the maximum allowed (There is a detailed explanation about the maximum allowed frame rate at the end of this chapter.). Exposure start trigger signals applied to the camera when it is not in a waiting for exposure start trigger acquisition status will be ignored.

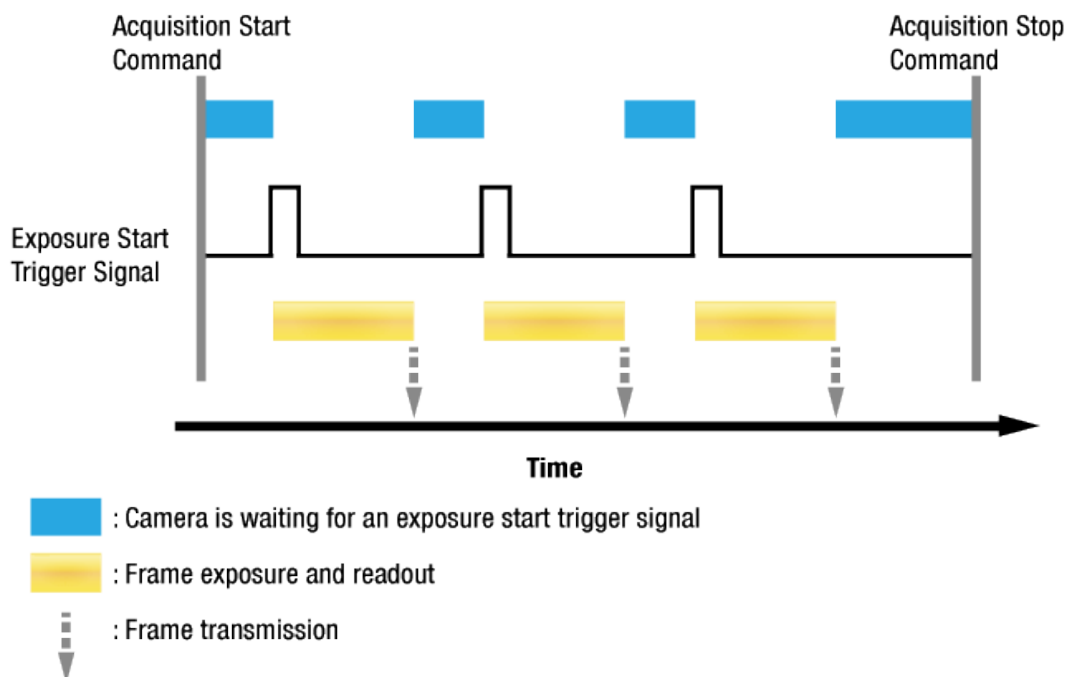


Figure 8-1 Exposure Start Triggering

8.2.4 Applying Trigger Signals

The paragraphs above mention “applying a trigger signal”. There are five ways to apply an exposure start trigger signal to the camera: via **Software**, via **User Output0**, via **CC1**, via **Time0Active**, or via **Line0** (commonly referred to a hardware).

- To apply trigger signals via **Software**, you must set the **Trigger Source** parameter to **Software**. At that point, each time a **Trigger Software** command is executed, the exposure start trigger signal will be applied to the camera.
- To apply trigger signals via **User Output0**, you must set the **Trigger Source** parameter to **User Output0**. At that point, you can apply an exposure start trigger signal to the camera by switching the **User Output Value** parameter between **On** (rise) and **Off** (fall).
- To apply trigger signals via Camera Link frame grabber, you must set the **Trigger Source** parameter to **CC1**. At that point, each time an externally generated electrical signal is applied to the camera by using the APIs provided by a Camera Link frame grabber manufacturer, the exposure start trigger signal will be applied to the camera. For more information, refer to your Camera Link frame grabber user manual.
- To apply trigger signals via the user-defined Timer feature, you must set the **Trigger Source** parameter to **Timer0 Active**. When you set the **Timer Trigger Source** parameter to **Line0** in the **Counter And Timer Control** category, you can apply an exposure start trigger signal to the camera by using a Timer that uses the Line0 signal as the source signal.
- To apply trigger signals via hardware (external), you must set the **Trigger Source** parameter to **Line0**. At that point, each time a proper electrical signal is applied to the camera, an occurrence of the exposure start trigger signal will be recognized by the camera.

8.2.5 Exposure Time Control

When an exposure start trigger signal is applied to the camera, the camera will begin to acquire a frame.

A critical aspect of frame acquisition is how long the pixels in the camera's sensor will be exposed to light during the frame acquisition.

If the Trigger Source parameter is set to **User Output0**, **CC1** or **Line0**, there are two modes of operation: **Timed** and **Trigger Width**.

With the **Timed** mode, the **Exposure Time** parameter will determine the exposure time for each frame.

With the **Trigger Width** mode, the way that you manipulate the rise and fall of the **User Output**, **CC1** or hardware (external) signal will determine the exposure time. The **Trigger Width** mode is especially useful if you want to change the exposure time from frame to frame.

8.3 Exposure Start Trigger

The **Trigger Selector** parameter is used to select a type of trigger and only the **Exposure Start** trigger is available on the VC-5/9/18MC series camera. The Exposure Start trigger is used to begin frame acquisition. Exposure start trigger signals can be generated within the camera or may be applied externally by setting the **Trigger Source** parameter to **Software**, **User Output0**, **CC1**, **Time0Active**, or **Line0**. If an exposure start trigger signal is applied to the camera, the camera will begin to expose a frame.

8.3.1 Trigger Mode

The main parameter associated with the exposure start trigger is the **Trigger Mode** parameter. The **Trigger Mode** parameter for the exposure start trigger has two available settings: **Off** and **On**.

Trigger Mode = Off

When the **Trigger Mode** parameter is set to **Off**, the camera will generate all required exposure start trigger signals internally, and you do not need to apply exposure start trigger signals to the camera.

If the **Trigger Mode** parameter is set to **Off**, the camera will automatically begin generating exposure start trigger signals when it receives an **Acquisition Start** command. The camera will continue to generate exposure start trigger signals until it receives an **Acquisition Stop** command.



Free-Run

When you set the Trigger Mode parameter to Off, the camera will generate all required trigger signals internally. When the camera is set this way, it will constantly acquire images without any need for triggering by the user. This use case commonly referred as "free run".

The rate at which the exposure start trigger signals are generated may be determined by the camera's **Acquisition Frame Rate** parameter.

- If the parameter is set to a value less than the maximum allowed frame rate with the current camera settings, the camera will generate exposure start trigger signals at the rate specified by the parameter setting.
- If the parameter is set to a value greater than the maximum allowed frame rate with the current camera settings, the camera will generate exposure start trigger signals at the maximum allowed frame rate.

Exposure Time Control with Trigger Mode = Off

When the **Trigger Mode** parameter is set to **Off**, the exposure time for each frame acquisition is determined by the value of the camera's **Exposure Time** parameter. For more information about the Exposure Time parameter, see [8.4 Setting the Exposure Time](#).

Trigger Mode = On

When the **Trigger Mode** parameter is set to **On**, you must apply an exposure start trigger signal to the camera each time you want to begin a frame acquisition. The **Trigger Source** parameter specifies the source signal that will act as the exposure start trigger signal.

The available settings for the **Trigger Source** parameter are:

- **Software**: You can apply an exposure start trigger signal to the camera by executing a **Trigger Software** command for the exposure start trigger on your computer.
- **User Output0**: You can apply an exposure start trigger signal to the camera by switching the **User Output Value** parameter between **On** and **Off** on your computer.
- **CC1**: You can apply an exposure start trigger signal to the camera via CC1 in the Camera Link interface. For more information, refer to your Camera Link frame grabber user manual.
- **Timer0Active**: You can apply an exposure start trigger signal to the camera using a user defined Timer signal. When you set the **Timer Trigger Source** parameter to **Line0** in the **Counter And Timer Control** category, you can specify a delay for the Line0 signal by using the **Timer Delay** parameter. For more information, refer to [9.14 Timer Control](#).
- **Line0**: You can apply an exposure start trigger signal to the camera by injecting an externally generated electrical signal (commonly referred to as a hardware or external trigger signal) into the Control I/O receptacle on the camera. Refer to [7.4 Trigger Input Circuit](#) for more information.

You must also set the **Trigger Activation** parameter after setting the **Trigger Source** parameter.

The available settings for the **Trigger Activation** parameter are:

- **Falling Edge**: Specifies that a falling edge of the electrical signal will act as the exposure start trigger.
- **Rising Edge**: Specifies that a rising edge of the electrical signal will act as the exposure start trigger.

Exposure Time Control with Trigger Mode = On

When the **Trigger Mode** parameter is set to **On** and the **Trigger Source** parameter is set to **Software**, the exposure time for each frame acquisition is determined by the value of the camera's **Exposure Time** parameter.

When the **Trigger Mode** parameter is set to **On** and the **Trigger Source** parameter is set to **CC1** or **Line0**, the exposure time for each frame acquisition will be determined by the **Exposure Mode** parameter settings as follows:

- **Exposure Mode = Timed:** Exposure time can be controlled with the **Exposure Time** parameter.
- **Exposure Mode = Trigger Width:** Exposure time can be controlled by manipulating the external trigger signal.

When the **Trigger Mode** parameter is set to **On** and the **Trigger Source** parameter is set to **Timer0 Active**, the exposure time for each frame acquisition will be determined by the **Exposure Mode** parameter settings as follows:

- **Exposure Mode = Timed:** Exposure time can be controlled with the **Exposure Time** parameter.
- **Exposure Mode = Trigger Width:** When you set the **Timer Trigger Activation** parameter to **Rising/Falling Edge**, the exposure time is controlled with the **Timer Duration** parameter. When you set the **Timer Trigger Activation** parameter to **Level High/Low**, the exposure time can be controlled by manipulating the external trigger signal.

When the **Trigger Mode** parameter is set to **On** and the **Trigger Source** parameter is set to **User Output0**, the exposure time for each frame acquisition will be determined by the **Exposure Mode** parameter settings as follows:

- **Exposure Mode = Timed:** Exposure time can be controlled with the **Exposure Time** parameter.
- **Exposure Mode = Trigger Width:** Exposure time can be controlled by switching the **User Output Value** parameter between **On** and **Off**.

8.3.2 Using a Software Trigger Signal

If the **Trigger Mode** parameter is set to **On** and the **Trigger Source** parameter is set to **Software**, you must apply a software trigger signal (exposure start) to the camera to begin each frame acquisition. Assuming that the camera is in a **waiting for exposure start trigger** acquisition status, frame exposure will start when the software trigger signal is received by the camera. **Figure 8-2** illustrates frame acquisition with a software trigger signal.

When the camera receives a software trigger signal and begins exposure, it will exit the **waiting for exposure start trigger** acquisition status because at that point, it cannot react to a new exposure start trigger signal. As soon as the camera is capable of reacting to a new exposure start trigger signal, it will automatically return to the **waiting for exposure start trigger** acquisition status.

The exposure time for each acquired frame will be determined by the value of the camera's **Exposure Time** parameter.

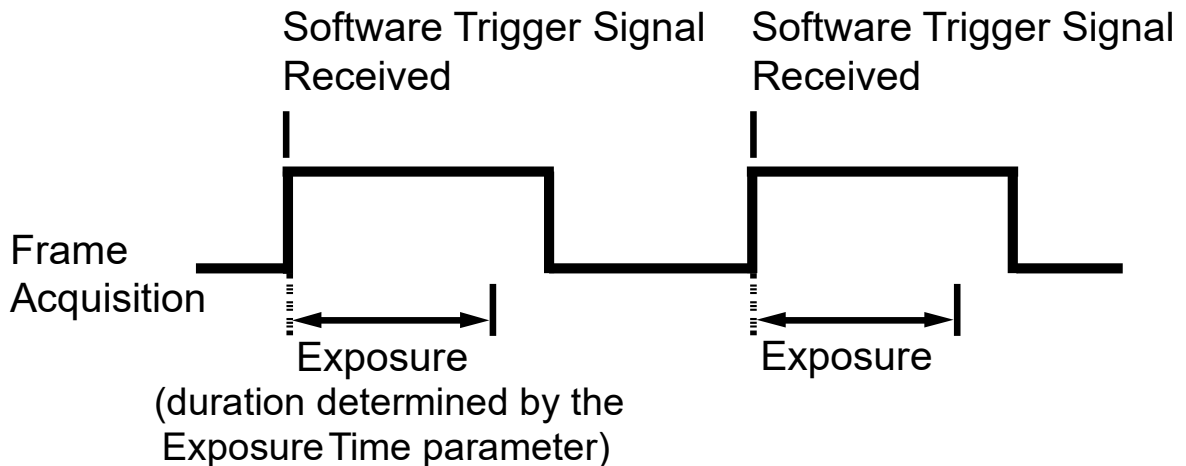


Figure 8-2 Frame Acquisition with Software Trigger Signal

When you are using a software trigger signal to start each frame acquisition, the frame rate will be determined by how often you apply a software trigger signal to the camera, and you should not attempt to trigger frame acquisition at a rate that exceeds the maximum allowed for the current camera settings (There is a detailed explanation about the maximum allowed frame rate at the end of this chapter.). Software trigger signals that are applied to the camera when it is not ready to receive them will be ignored.

8.3.3 Using a CC1 Trigger Signal

If the **Trigger Mode** parameter is set to **On** and the **Trigger Source** parameter is set to **CC1**, you must apply a CC1 trigger signal to the camera to begin each frame acquisition. A CC1 trigger signal will act as the exposure start trigger signal for the camera. For more information, refer to your Camera Link frame grabber user manual.

A rising edge or falling edge of the CC1 signal can be used to trigger frame acquisition. The **Trigger Activation** parameter is used to select rising edge or falling edge triggering. Assuming that the camera is in a waiting for exposure start trigger acquisition status, frame acquisition will start whenever the appropriate edge transition is received by the camera.

The camera starts the exposure after receiving a CC1 trigger signal, however, additional new CC1 trigger signal would be ignored while the previous exposure is still in progress. When the camera is operating under control of a CC1 signal, the period of the CC1 trigger signal will determine the rate at which the camera is acquiring lines:

$$\frac{1}{\text{CC1 signal period in seconds}} = \text{Line Rate}$$

For example, if you are operating a camera with a CC1 trigger signal period of 1 μs (0.001 s):
So in this case, the line rate is 1 kHz.

**Note:**

Apply 50% duty cycle to your external trigger when using **AnyEdge** in the **TriggerActivation** parameter. By doing this, you will be able to avoid malfunction originated from the different widths of the trigger because of the incorrect setting of the duty cycle. Additionally, it is recommended to use either **RisingEdge** or **FallingEdge** rather than **AnyEdge** in the **TriggerRescaler** parameter.

8.3.4 Using an External Trigger Signal

If the **Trigger Mode** parameter is set to **On** and the **Trigger Source** parameter is set to **Line0**, an externally generated electrical signal injected into the Control I/O receptacle will act as the exposure start trigger signal for the camera. This type of trigger signal is generally referred to as a hardware trigger signal.

A rising edge or a falling edge of the external signal can be used to trigger frame acquisition. The **Trigger Activation** parameter is used to select rising edge or falling edge triggering.

Assuming that the camera is in a *waiting for exposure start trigger* acquisition status, frame acquisition will start whenever the appropriate edge transition is received by the camera.

When the camera receives an external trigger signal and begins exposure, it will exit the *waiting for exposure start trigger* acquisition status because at that point, it cannot react to a new exposure start trigger signal.

As soon as the camera is capable of reacting to a new exposure start trigger signal, it will automatically return to the *waiting for exposure start trigger* acquisition status.

When the camera is operating under control of an external signal, the period of the external trigger signal will determine the rate at which the camera is acquiring frames:

$$\frac{1}{\text{External signal period in seconds}} = \text{Frame Rate}$$

For example, if you are operating a camera with an External trigger signal period of 50 ms (0.05 s):

So in this case, the frame rate is 20 fps.

External Trigger Delay

When you set the **Trigger Source** parameter to **Timer0Active**, you can specify a delay between the receipt of a hardware trigger signal and when the trigger becomes effective.

1. Set the **Timer Trigger Source** parameter in the **Counter And Timer Control** category to **Line0**.
2. Set the **Timer Delay** parameter to the desired Timer delay in microseconds.
3. Set the **Trigger Source** parameter in the **Acquisition Control** category to **Timer0Active**.
4. Execute the **Acquisition Start** command and inject an externally generated electrical signal into the Control I/O receptacle. Then, the delay set by the **Timer Delay** parameter expires and the exposure for image acquisition begins.

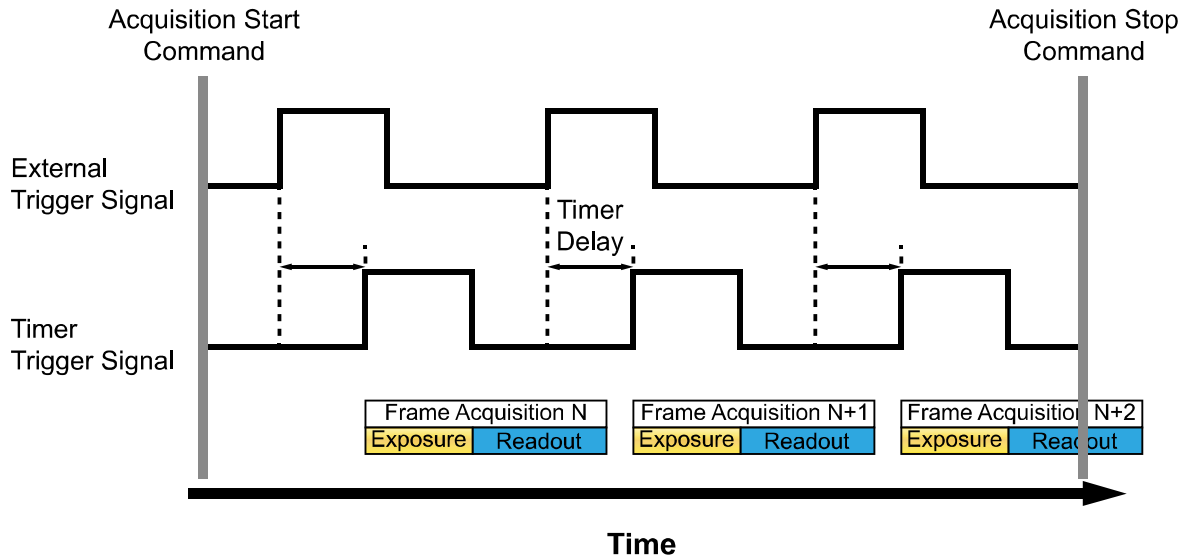


Figure 8-3 External Trigger Delay

8.3.5 Exposure Mode

If you are triggering the start of frame acquisition with an externally (CC1 or External) generated trigger signal, two exposure modes are available: **Timed** and **Trigger Width**.

Timed Exposure Mode

When the **Timed** mode is selected, the exposure time for each frame acquisition is determined by the value of the camera's **Exposure Time** parameter. If the camera is set for rising edge triggering, the exposure time starts when the external trigger signal rises. If the camera is set for falling edge triggering, the exposure time starts when the external trigger signal falls. The following figure illustrates **Timed** exposure with the camera set for rising edge triggering.

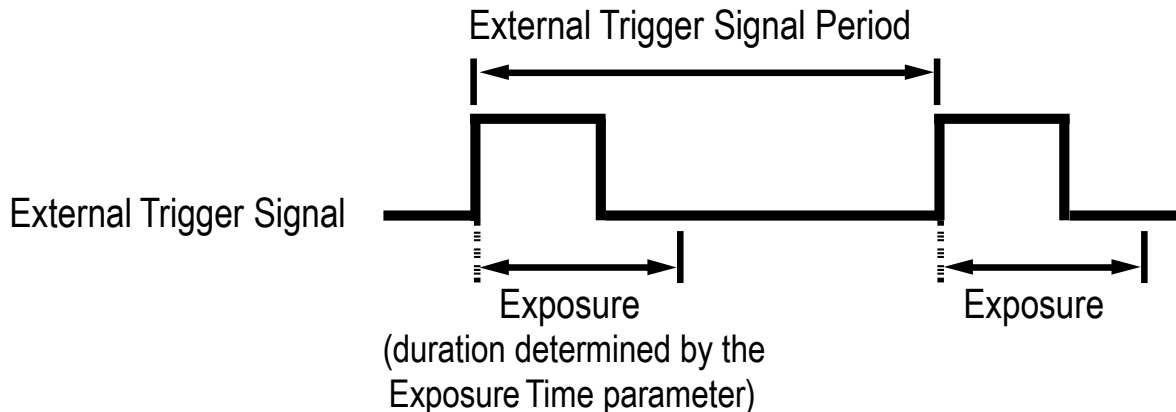


Figure 8-4 Timed Exposure Mode

Note that if you attempt to trigger a new exposure start while the previous exposure is still in progress, the trigger signal will be ignored.

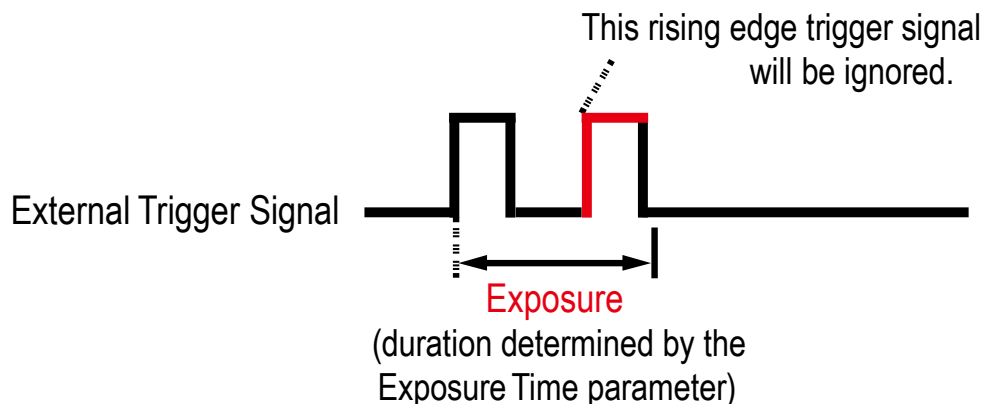


Figure 8-5 Trigger Overlapped with Timed Exposure Mode

Trigger Width Exposure Mode

When the **Trigger Width** exposure mode is selected, the length of the exposure for each frame acquisition will be directly controlled by the external trigger signal (CoaXPress or External). If the camera is set for rising edge triggering, the exposure time begins when the external trigger signal rises and continues until the external trigger signal falls. If the camera is set for falling edge triggering, the exposure time begins when the external trigger signal falls and continues until the external trigger signal rises. The following figure illustrates **Trigger Width** exposure with the camera set for rising edge triggering.

Trigger Width exposure is especially useful if you intend to vary the length of the exposure time for each frame.

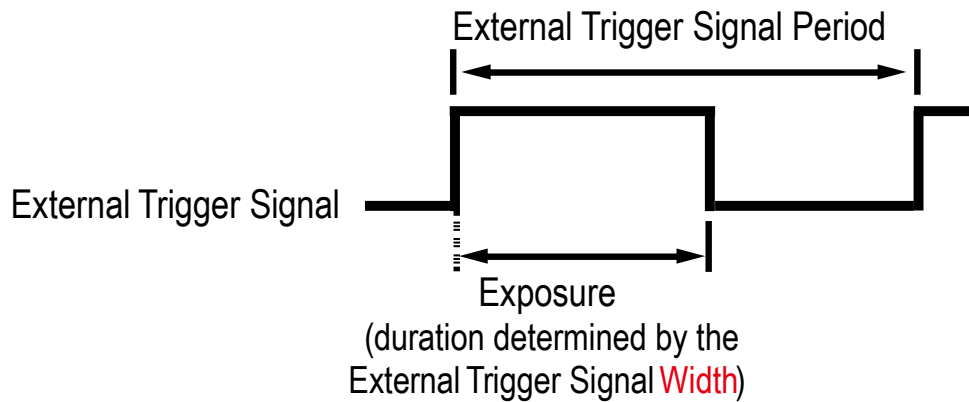


Figure 8-6 **Trigger Width Exposure Mode**

8.4 Setting the Exposure Time

This section describes how the exposure time can be adjusted manually by setting the value of the **Exposure Time** parameter. If you are operating the camera in any one of the following ways, you must specify an exposure time by setting the camera's **Exposure Time** parameter.

- the **Trigger Mode** is set to **Off**.
- the **Trigger Mode** is set to **On** and the **Trigger Source** is set to **CC1** or **Line0**, and the **Exposure Mode** is set to **Timed**.

The **Exposure Time** parameter must not be set below a minimum specified value. The **Exposure Time** parameter sets the exposure time in microseconds (μs). The minimum and maximum exposure time settings for the VC-5/9/18MC series camera are shown in the following table.

Camera Model	Minimum Exposure Time †	Maximum Exposure Time † †
VC-5/9/18MC series	1 μs	60,000,000 μs

†: The actual exposure time is determined by adding the **Exposure Time** value in the **Timed** or **Trigger Width** items to the **Exposure Offset** value of user's choice.

††: When the **Exposure Mode** is set to **Trigger Width**, the exposure time is controlled by the external trigger signal and has no maximum limit.

Table 8-1 Minimum and Maximum Exposure Time Setting

8.5 Overlapping Exposure with Sensor Readout

The frame acquisition process on the camera includes two distinct parts. The first part is the exposure of the pixels in the image sensor. Once exposure is complete, the second part of the process – readout of the pixel values from the sensor – takes place. In regard to this frame acquisition process, the VC-5/9/18MC series camera basically operates with ‘overlapped’ exposure so that the exposure for a new frame can be overlapped with the sensor readout for the previous frame.

When a new trigger signal is applied to the camera while reading out the previous frame, the camera begins the process of exposing a new frame. This situation is illustrated in the following figure with the **Trigger Mode** set to **On**, the **Trigger Source** set to **Line0** and the **Exposure Mode** set to **Trigger Width**.

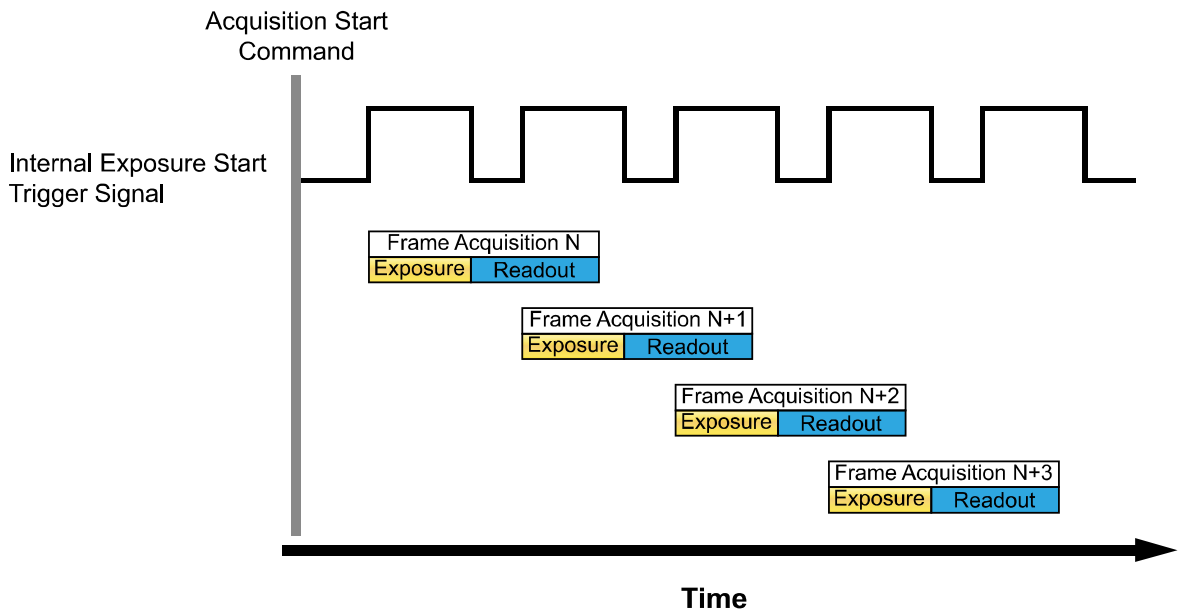


Figure 8-7 Overlapped Exposure and Readout

Determining whether your camera is operating with overlapped exposure and readout is not a matter of issuing a command or changing a setting. Rather a way that you operate the camera will determine whether the exposures and readouts are overlapped or not. If we define the “Frame Period” as the time from the start of exposure for one frame acquisition to the start of exposure for the next frame acquisition, then:

- Overlapped: $\text{Frame Period} \leq \text{Exposure Time} + \text{Readout Time}$

Guidelines for Overlapped Exposure

Since the VC-5/9/18MC series camera operates with overlapped exposure, you must keep in mind two important guidelines:

- You must not begin the exposure for a new frame while the exposure for the previous frame is in progress.
- You must not end the exposure for the current frame until the readout for the previous frame is complete.

When you are operating the camera with overlapped exposure and using an external trigger signal to trigger image acquisition, you could use the camera’s Exposure Time parameter settings and timing formula to calculate when it is safe to begin each new acquisition.

8.6 Global Shutter

The VC-5/9/18MC series camera is equipped with an image sensor that has an electronic global shutter. When an exposure start trigger signal is applied to the camera equipped with a global shutter, exposure begins for all lines in the sensor as shown in the figure below. Exposure continues for all lines in the sensor until the programmed exposure time ends or when the exposure start trigger signal ends the exposure time if the camera is using the trigger width exposure mode. At the end of the exposure time, exposure ends for all lines in the sensor. Immediately after the end of exposure, pixel data readout begins and proceeds line by line until all pixel data is read out of the sensor. A main characteristic of a global shutter is that for each frame acquisition, all of the pixels in the sensor start exposing at the same time and all end exposing at the same time. This means that image brightness tends to be more uniform over the entire area of each acquired image, and it helps to minimize problems with acquiring images of object in motion.

The camera can provide an **Exposure Active** output signal that will go high when the exposure time for a frame acquisition begins and will go low when the exposure time ends.

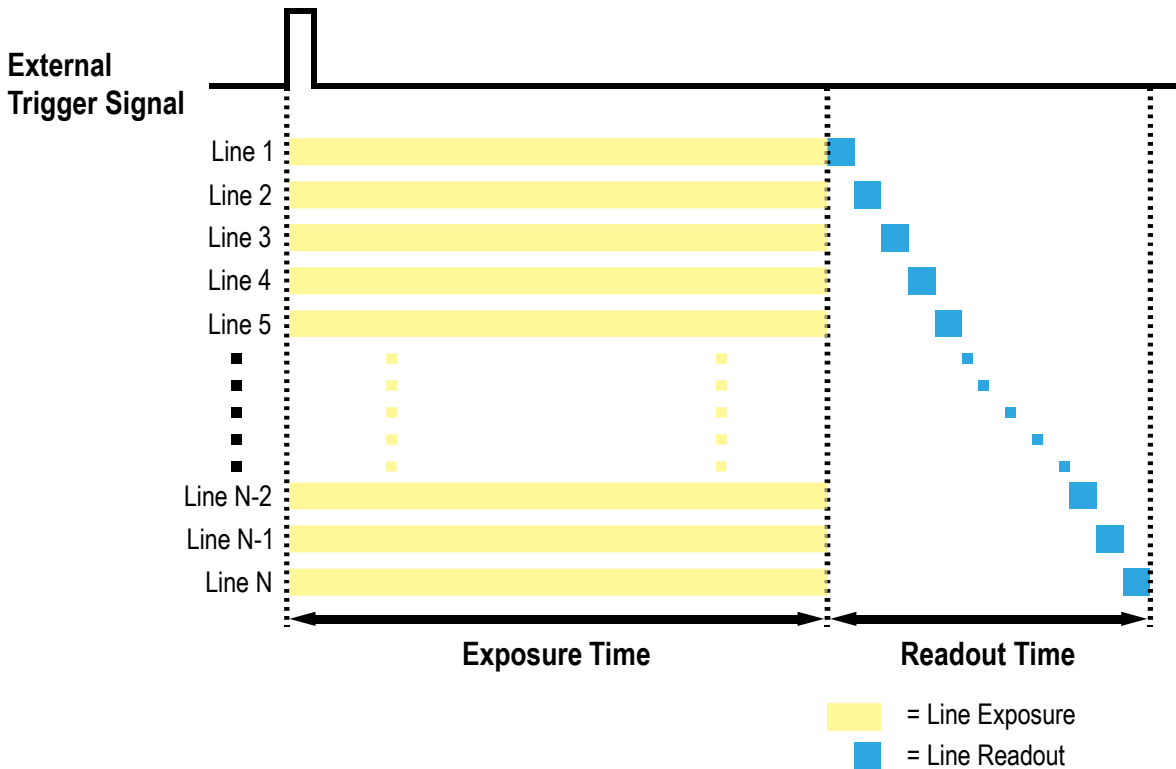


Figure 8-8 Global Shutter

8.7 Maximum Allowed Frame Rate

In general, the maximum allowed acquisition frame rate on the camera may be limited by several factors:

- The amount of time that it takes to transmit an acquired frame from the camera to your computer. The amount of time needed to transmit a frame depends on the bandwidth assigned to the camera.
- The amount of time it takes to read an acquired frame out of the image sensor and into the camera's frame buffer. This time varies depending on the setting for ROI. Frames with a smaller height and/or width take less time to read out of the sensor. The frame height and width are determined by the camera's **Height** and **Width** settings in the **Image Format Control** category.
- Camera Link Tap Configuration (Tap Mode) Settings
When the camera is set for a Tap Mode that uses more taps, it will take less time to transfer acquired images from the camera to the Camera Link frame grabber in your computer. For example, if the camera is set to 8 Tap (Camera Link Full Configuration), it can typically transfer data out of the camera two times faster than when the camera is set to 4 Tap (Camera Link Medium).
- The exposure time for acquired frames. If you use very long exposure time, you can acquire fewer frames per second.

8.7.1 Increasing the Maximum Allowed Frame Rate

You may find that you would like to acquire frames at a rate higher than the maximum allowed with the camera's current settings. In this case, you must adjust one or more of the factors that can influence the maximum allowed frame rate and then check to see if the maximum allowed frame rate has increased.

- The time that it takes to transmit a frame out of the camera is the main limiting factor on the frame rate. You can decrease the frame transmission time (and thus increase the maximum allowed frame rate) by using the ROI feature. Decreasing the size of the Image ROI may increase the maximum allowed frame rate. If possible, decrease the height and/or width of the Image ROI.
- If you are using a Device Tap Geometry with a low number of taps, consider using a Device Tap Geometry with a high number of taps. This will usually increase the maximum allowed frame rate.
- If you are using normal exposure times and you are using the camera at its maximum resolution, your exposure time will not normally restrict the frame rate. However, if you are using long exposure time, it is possible that your exposure time is limiting the maximum allowed frame rate. If you are using a long exposure time, try using a shorter exposure time and see if the maximum allowed frame rate increases (You may need to compensate for a lower exposure time by using a brighter light source or increasing the opening of your lens aperture.).

**Note:**

A very long exposure time severely limits the camera's maximum allowed frame rate. As an example, assume that your camera is set to use a 1 second exposure time. In this case, because each frame acquisition will take at least 1 second to be completed, the camera will only be able to acquire a maximum of one frame per second.

Chapter 9. Camera Features

9.1 Region of Interest

The Image Region of Interest (ROI) feature allows you to specify a portion of the sensor array. You can acquire only the frame data from the specified portion of the sensor array while preserving the same quality as you acquire a frame from the entire sensor array.

With the ROI feature, you can increase the maximum allowed frame rate by decreasing the **Width** and/or **Height** parameters. The ROI is referenced to the top left corner [origin (0, 0)] of the sensor array as shown below.

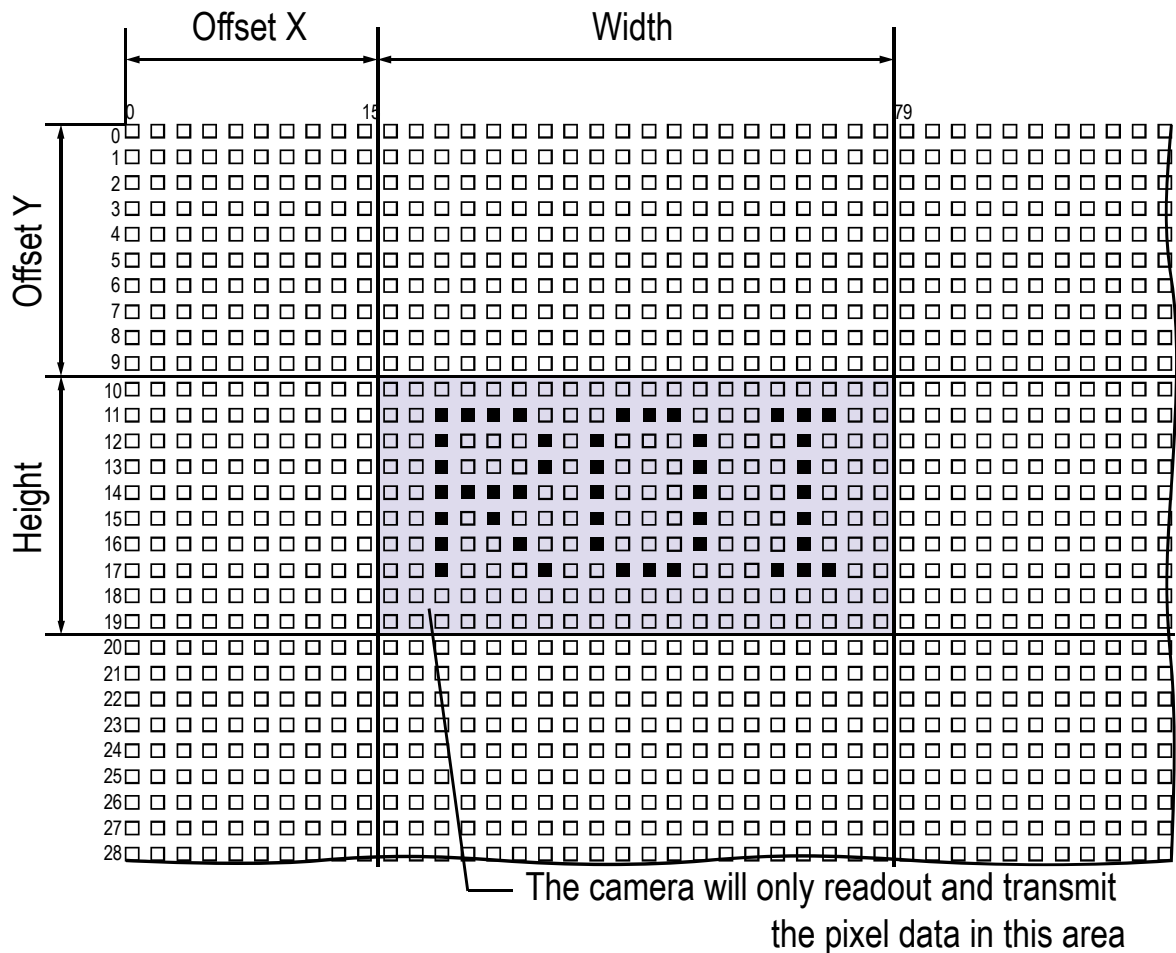


Figure 9-1 Region of Interest

The XML parameters related to ROI settings are as follows.

XML Parameters	Value	Description
ImageFormatControl	SensorWidth ^a	- Effective width of the sensor
	SensorHeight ^a	- Effective height of the sensor
	WidthMax ^a	- Maximum allowed width of the image with the current camera settings
	HeightMax ^a	- Maximum allowed height of the image with the current camera settings
	Width ^b	- Sets the Width of the Image ROI.
	Height ^b	- Sets the Height of the Image ROI.
	OffsetX ^c	- Sets the horizontal offset from the origin to the Image ROI.
	OffsetY ^c	- Sets the vertical offset from the origin to the Image ROI.

The unit for all parameters in this table is pixel.

a: Read only. User cannot change the value.

b: User configurable parameters for setting ROI

c: User configurable parameters for setting the origin of the ROI

Table 9-1 XML Parameters related to ROI

You can change the size of ROI by setting the **Width** and **Height** parameters in the **Image Format Control** category. You can also change the position of the ROI origin by setting the **Offset X** and **Offset Y** parameters. Make sure that the **Width + Offset X** value is less than the **Width Max** value, and the **Height + Offset Y** value is less than the **Height Max** value. You must set the size of the ROI first, and then set the Offset values since the **Width** and **Height** parameters are set to its maximum value by default.

- On the VC-5/9/18MC series camera, the **Width** parameter must be set to a multiple of 8, and the **Height** parameter must be set to a multiple of 2.

The minimum allowed setting values for the ROI Width and Height are shown below.

Camera Model	Minimum Width Settings	Minimum Height Settings
VC-5/9/18MC series	16	2

Table 9-2 Minimum ROI Width and Height Settings

On the VC-5/9/18MC series camera, the maximum allowed frame rates depending on Horizontal and Vertical ROI changes are shown below. The maximum allowed frame rates shown below are based on 8 bit Pixel Format.

ROI Size (H × V)	2 Tap	4 Tap	8 Tap	10 Tap
2600 × 1000	63.6 fps	125.6 fps	244.9 fps	257.8 fps
2600 × 2000	32.1 fps	63.4 fps	123.7 fps	130.2 fps
16 × 2160	120.6 fps	120.6 fps	120.6 fps	120.6 fps
1600 × 2160	47.7 fps	95.5 fps	120.6 fps	120.6 fps
2600 × 2160	29.7 fps	58.7 fps	114.6 fps	120.6 fps

Table 9-3 Maximum Frame Rates by ROI Changes (on VC-5MC-M/C120I)

ROI Size (H × V)	2 Tap	4 Tap	8 Tap	10 Tap
4200 × 1000	39.4 fps	78.2 fps	153.9 fps	193.9 fps
4200 × 2000	19.9 fps	39.4 fps	77.7 fps	97.9 fps
16 × 2160	100.8 fps	100.8 fps	100.8 fps	100.8 fps
1600 × 2160	47.7 fps	94.5 fps	100.8 fps	100.8 fps
3200 × 2160	24.1 fps	47.7 fps	94.5 fps	100.8 fps
4200 × 2160	18.4 fps	36.5 fps	72.0 fps	90.7 fps

Table 9-4 Maximum Frame Rates by ROI Changes (on VC-9MC-M/C90I)

ROI Size (H × V)	2 Tap	4 Tap	8 Tap	10 Tap
4504 × 1000	36.5 fps	72.5 fps	143.0 fps	180.1 fps
4504 × 2000	18.5 fps	36.7 fps	72.5 fps	91.3 fps
4504 × 3000	12.4 fps	24.6 fps	48.5 fps	61.1 fps
4504 × 4000	9.3 fps	18.5 fps	36.5 fps	45.9 fps
16 × 4096	50.5 fps	50.5 fps	50.5 fps	50.5 fps
1600 × 4096	25.2 fps	50.5 fps	50.5 fps	50.5 fps
3200 × 4096	12.7 fps	25.2 fps	50.5 fps	44.9 fps
4504 × 4096	9.1 fps	18.0 fps	35.6 fps	44.9 fps

Table 9-5 Maximum Frame Rates by ROI Changes (on VC-18MC-M/C45I)



Caution!

Your Frame Grabber may place additional restrictions on how the ROI location and size must be set. Refer to your Frame Grabber user manual for more information.

9.2 Multi-ROI

The VC-5/9/18MC series camera provides the Multi-ROI feature which allows you to define up to 16 regions of the sensor array. When an image is acquired, only the pixel information from the defined regions will be readout of the sensor. The pixel data read out of the regions will then be combined together and will be transmitted from the camera as a single image.

The XML parameters related to Multi-ROI are as follows.

XML Parameters	Value	Description
MultiRoiControl	MultiRoiSelector	Region0 - Region15
	MultiRoiMode	On/Off
	MultiRoiWidth	16 - 4504
	MultiRoiHeight	2 - 4096
	MultiRoiOffsetX	0 - 4504
	MultiRoiOffsetY	0 - 4096
	MultiRoiValid ^a	-
	MultiRoiStatus	Active/Inactive

The unit for all parameters in this table is pixel.

a: If the setting values for the Multi-ROI feature are valid, 'True' will be returned or the check box will be selected.

Table 9-6 XML parameters related to Multi-ROI

It is recommended that you first set the **MultiRoiWidth** parameter, since all of the regions must be the same width. The next step in the setup process is to define each individual region as desired. Up to 16 regions can be set up ranging from 0 through 15. Use the **MultiRoiSelector** parameter to select which ROI to set and then set the ROI to On/Off by using the **MultiRoiMode** parameter. Then, set the **MultiRoiOffsetX**, **MultiRoiOffsetY** and **MultiRoiHeight** parameters to define each region.

In the figure below, for example, three regions have been set. With these settings, the camera would output an image as follows:

- $\text{MultiRoiWidth} \times \text{the total height of the three regions (Region0 Height + Region1 Height + Region2 Height)}$

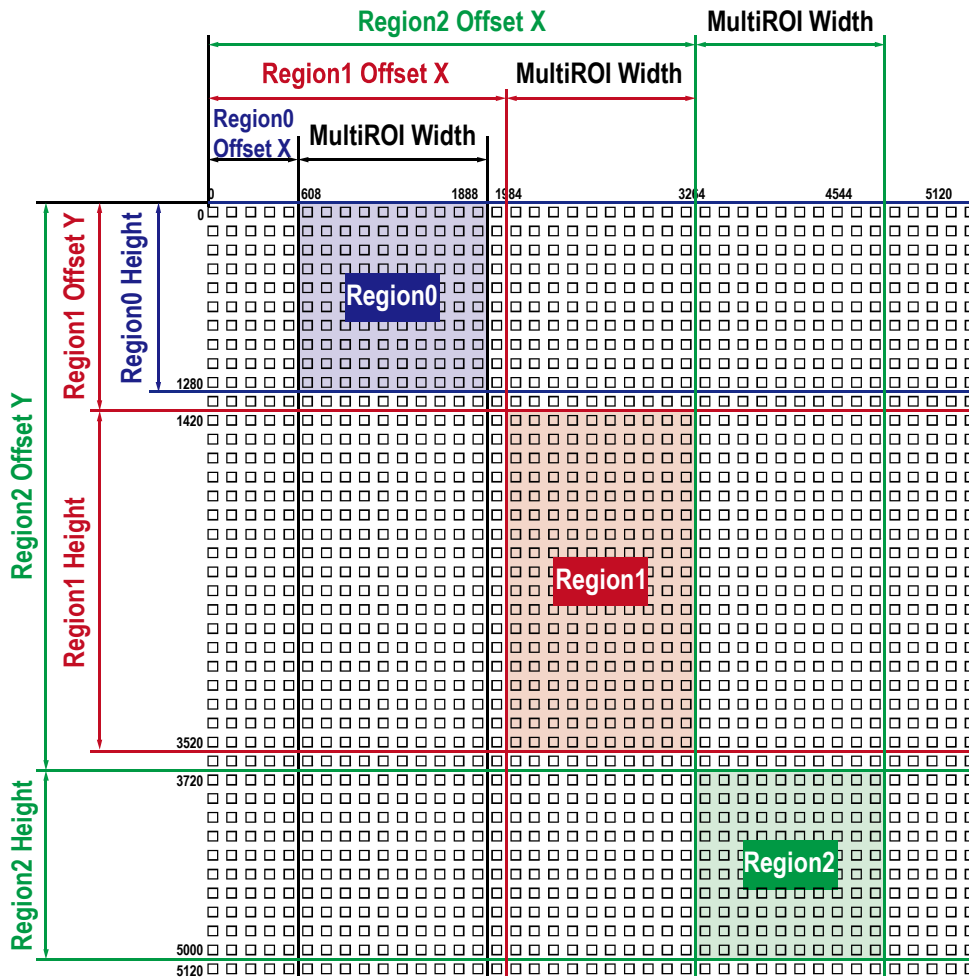


Figure 9-2 Multi-ROI

There are several things to keep in mind when setting the Multi-ROI feature on the VC-5/9/18MC series camera:

- The sum of the MultiRoiOffsetX value plus the MultiRoiWidth value must not exceed the width of the camera's sensor.
- The sum of the MultiRoiOffsetY value plus the MultiRoiHeight value must not exceed the height of the camera's sensor.
- The MultiRoiOffsetX and MultiRoiWidth value must be a multiple of 8.
- The MultiRoiOffsetY and MultiRoiHeight value must be a multiple of 2.
- The MultiRoiWidth values are equal, so the widths of the Region 0, Region 1, and Region 2 are the same in the figure above.
- You can save the Multi-ROI setting values as a User Set and then load the values to the camera when desired. For more information, refer to [9.25 User Set Control](#).

9.3 Device Tap Geometry

The VC-5/9/18MC series camera supports 2 Tap, 4 Tap, 8 Tap and 10 Tap Device Tap Geometry. The number of taps represents the number of pixel data that will be output on each cycle of the Camera Link Pixel Clock. The maximum allowed frame rate will be changed according to the Device Tap Geometry settings. The image data is transmitted in the interleaved order as shown in the figure below.

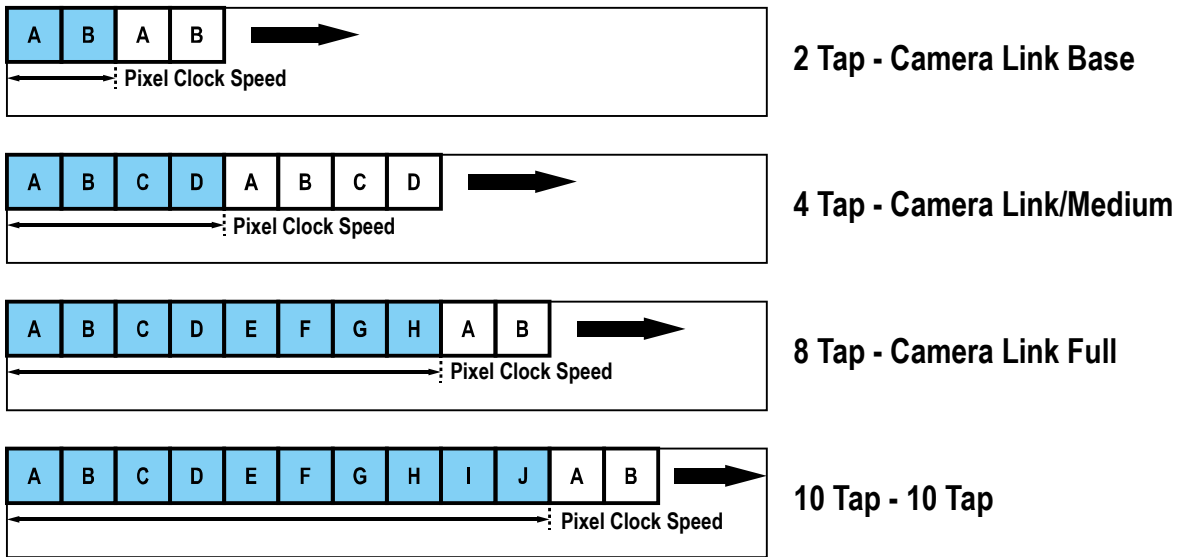


Figure 9-3 Device Tap Geometry

The XML parameter related to Device Tap Geometry is as follows.

XML Parameters		Value	Description
TransportLayer Control	DeviceTapGeometry	Geometry_1X2_1Y	Sets the Device Tap Geometry to 2 Tap
		Geometry_1X4_1Y	Sets the Device Tap Geometry to 4 Tap
		Geometry_1X8_1Y	Sets the Device Tap Geometry to 8 Tap
		Geometry_1X10_1Y	Sets the Device Tap Geometry to 10 Tap

Table 9-7 XML Parameter related to Device Tap Geometry

9.4 Pixel Format

The VC-5/9/18MC series camera processes image data in the unit of 12 bit. The pixel format of the image data is available to be chosen among 8 bit, 10 bit, or 12 bit with the **Pixel Format** parameter. For instance, the 2 least significant bits will be dropped from overall 10 bits when the camera is set for 10-bit pixel format.

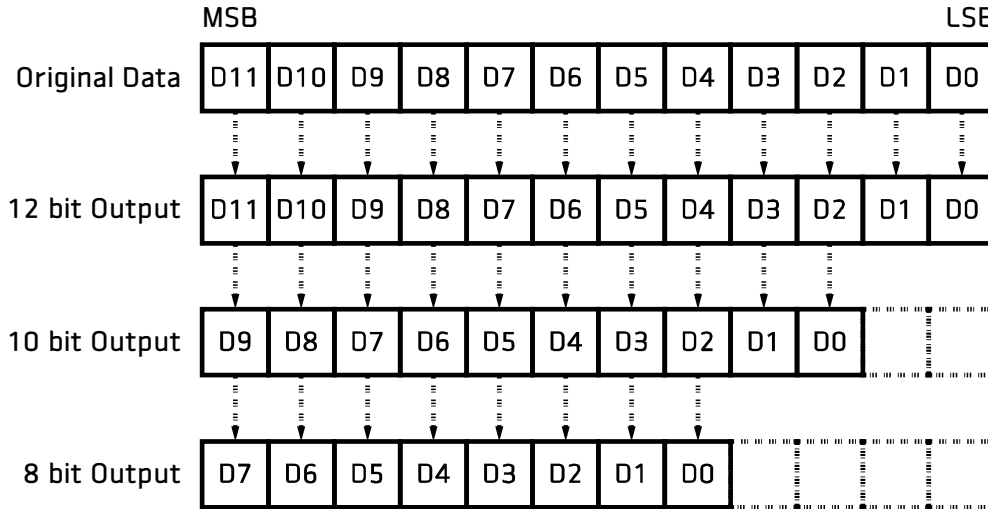


Figure 9-4 VC-5/9/18MC series' Pixel Format

The XML parameter related to Pixel Format is as follows.

XML Parameter		Description
ImageFormatControl	PixelFormat	Sets the pixel format supported by the device

Table 9-8 XML Parameter related to Pixel Format

The available pixel formats on the monochrome and color cameras are as follows.

Mono Sensor	Color Sensor
Mono 8	Mono 8
Mono 10	Mono 10
Mono 12	Mono 12
	Bayer GB 8
	Bayer GB 10
	Bayer GB 12

Table 9-9 Pixel Format Values

9.5 Data ROI (Color Camera)

The Balance White Auto feature provided by the color camera uses the pixel data from a Data Region of Interest (ROI) to adjust the related parameters. The XML parameters related to Data ROI are as follows.

XML Parameters	Value	Description
DataRoiControl	RoiSelector	WhiteBalanceAuto
	RoiOffsetX	-
	RoiOffsetY	-
	RoiWidth	-
	RoiHeight	-

Table 9-10 XML Parameters related to Data ROI

Only the pixel data from the area of overlap between the Data ROI and the Image ROI by your settings will be effective if you use the Image ROI and Data ROI at the same time. The effective ROI is determined as shown in the figure below.

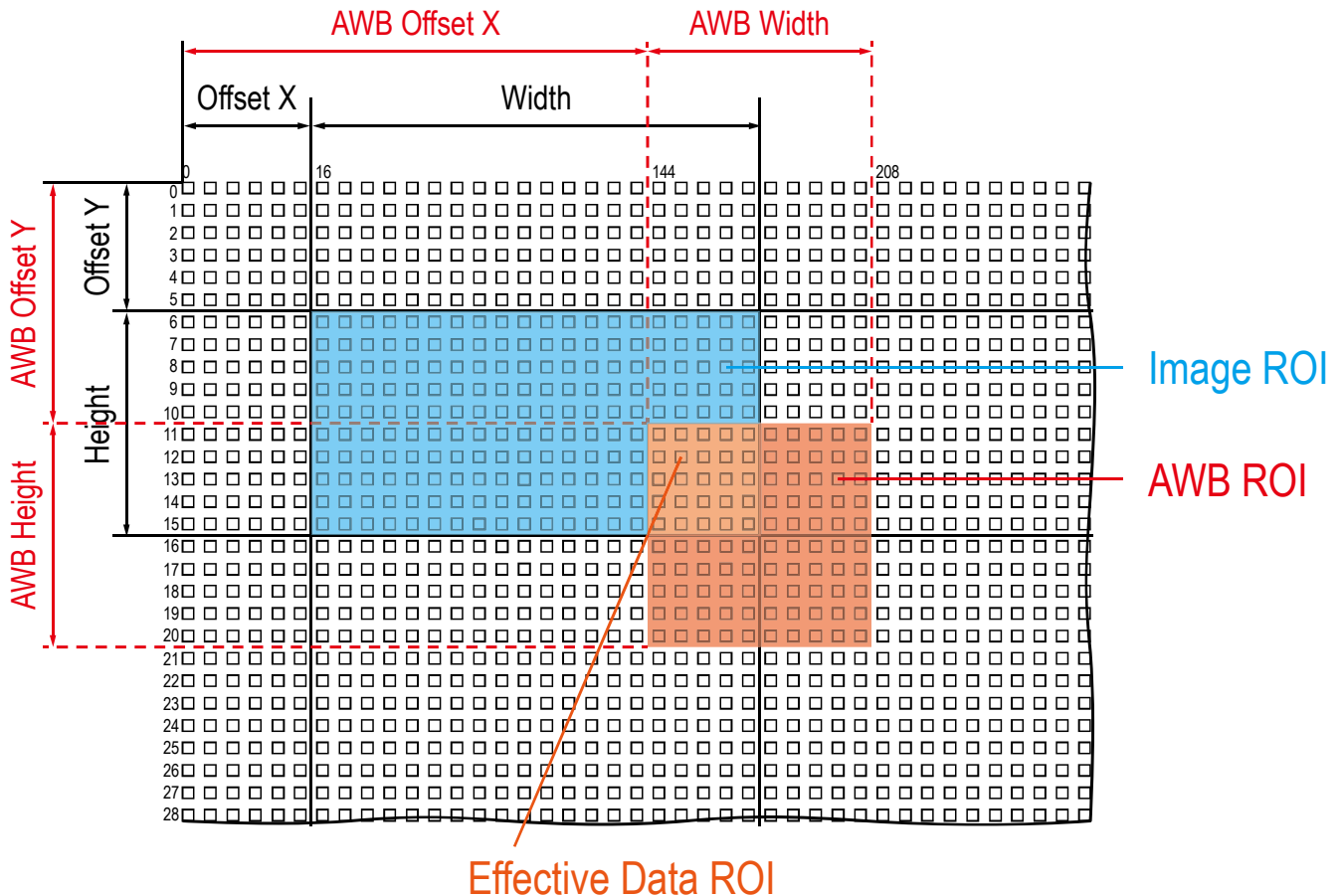


Figure 9-5 Effective Data ROI

9.6 White Balance (Color Camera)

The color camera includes the white balance capability to adjust the color balance of the images transmitted from the camera. With the white balancing scheme used on the VC-25MC-31 I camera, the Red, Green and Blue intensities can be adjusted individually. You can set the intensity of each color by using the **Balance Ratio** parameter. The Balance Ratio value can range from 1.0 to 4.0. If the **Balance Ratio** parameter is set to 1.0 for a color, the intensity of the color will be unaffected by the white balance mechanism. If the **Balance Ratio** parameter is set to greater than 1.0, the intensity of the color will be proportionally increased to the ratio. For example, if the **Balance Ratio** is set to 1.5, the intensity of that color will be increased by 50%.

The XML parameters related to White Balance are as follows.

XML Parameters		Value	Description
AnalogControl	BalanceRatio Selector	Red	A Balance Ratio value will be applied to red pixels.
		Green	A Balance Ratio value will be applied to green pixels.
		Blue	A Balance Ratio value will be applied to blue pixels.
	BalanceRatio	×1.0 ~ ×4.0	Adjusts the ratio of the selected color.

Table 9-11 XML Parameters related to White Balance

9.6.1 Balance White Auto

The Balance White Auto feature is implemented on the color camera. It will control the white balance of the image acquired from the color camera according to the GreyWorld algorithm. Before using the Balance White Auto feature, you need to set the Data ROI for Balance White Auto. If you do not set the related Data ROI, the pixel data from the Image ROI will be used to control the white balance. As soon as the **Balance White Auto** parameter is set to **Once**, the Balance Ratio values for Red and Blue will be automatically adjusted to adjust the white balance by referring to Green.

The XML parameters related to Balance White Auto are as follows.

XML Parameter		Value	Description
AnalogControl	BalanceWhite Auto	Off	Balance White Auto Off
		Once	White Balance is adjusted once and then Off.

Table 9-12 XML Parameter related to Balance White Auto

9.7 Gain and Black Level

Increasing the **Gain** parameter increases all pixel values of the image. This results in a higher grey value output from the camera for a given amount of output from the image sensor.

1. Selects the Gain Control (**Digital All** is only available) to be adjusted by using the **Gain Selector** parameter.
2. Sets the **Gain** parameter to the desired value.

Adjusting the **Black Level** parameter will result in an offset to the pixel values output from the camera.

1. Selects the Black Level Control (**Digital All** is only available) to be adjusted by using the **Black Level Selector** parameter.
2. Sets the **Black Level** parameter to the desired value. The available setting range varies depending on the **Pixel Format** settings.

The XML parameters related to Gain and Black Level are as follows.

XML Parameters		Value	Description
Analog Control	GainSelector	Digital All	Applies the Gain value to all digital channels.
	Gain	1.0× — 32.0×	Sets a digital gain value.
	BlackLevel Selector	Digital All	Applies the Black Level value to all digital channels.
	BlackLevel	8 bit: 0 ~ 15.93 10 bit: 0 ~ 63.75 12 bit: 0 ~ 255.00	Sets a black level value

Table 9-13 XML Parameters related to Gain and Black Level

9.8 Defective Pixel Correction

The CMOS sensor may have defect pixels which cannot properly react to the light. Correction is required since it may deteriorate the quality of output image. Defect pixel information of CMOS used for each camera is entered into the camera during the manufacturing process. If you want to add defect pixel information, it is required to enter coordinate of new defect pixel into the camera. For more information, refer to Appendix A.

9.8.1 Correction Method

A correction value for a defect pixel is calculated based on the valid pixel value adjacent in the same line.

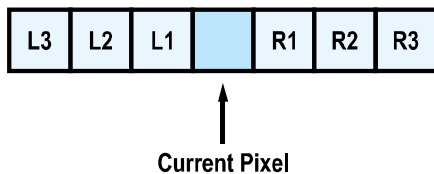


Figure 9-6 Location of Defect Pixel to be corrected

If the Current Pixel is a defect pixel as shown in the figure above, the correction value for this pixel is obtained as shown in the following table depending on whether surrounding pixels are defect pixels or not.

Adjacent Defect Pixel	Correction Value of Current Pixel
None	$(L1 + R1) / 2$
L1	R1
R1	L1
L1, R1	$(L2 + R2) / 2$
L1, R1, R2	L2
L2, L1, R1	R2
L2, L1, R1, R2	$(L3 + R3) / 2$
L2, L1, R1, R2, R3	L3
L3, L2, L1, R1, R2	R3

Table 9-14 Calculation of Defect Pixel Correction Value

9.9 Dark Signal Non-uniformity Correction

In theory, when a digital camera acquires images in complete darkness, all of the pixel values in the image should be near zero and they should be equal. In practice, however, slight variations in the performance of the pixels in the sensor will cause some variations in the pixel values output from the camera when the camera is acquiring in darkness. This variation is known as Dark Signal Non-uniformity (DSNU). The VC-5/9/18MC series cameras provide the DSNU Correction feature.

The XML parameters related to DSNU are as follows.

XML Parameters	Value	Description	
DSNU	DSNUDataSelector	Default	Selects Default as a non-volatile memory location to load DSNU data from.
		Space1 - 3	Selects a user defined location as a non-volatile memory location to save DSNU data to or load DSNU data from.
	DSNUDataGenerate	-	Generates the DSNU data for the current camera settings.
	DSNUDataSave	-	Saves the generated DSNU data in the non-volatile memory. The generated data by executing the DSNUDataGenerate command are saved in the volatile memory so that the data are lost if the camera is reset or if power is turned off. To use the data after the camera is powered on or reset, save them in the non-volatile memory.
	DSNUDataLoad	-	Loads the DSNU data from the non-volatile memory into the volatile memory.

Table 9-15 XML Parameters related to DSNU

9.9.1 Generating and Saving User DSNU Correction Values

To generate and save user DSNU correction values, use the following procedure.



Note:

- For optimum DSNU correction results, we recommend that you generate DSNU data after the temperature of the camera housing has been stabilized.
- Before generating DSNU data, set the FFC feature to Off.
- Before executing the DSNU correction, you must set the camera as follows:
OffsetX, OffsetY: 0
Width, Height: Maximum values

1. Ensure that the camera will be acquiring images in complete darkness by covering the camera lens, closing the iris in the lens, or darkening the room.
2. Begin acquiring images by setting the camera for the Free-Run mode.
3. Execute the **DSNU Data Generate** command to generate DSNU data for the current camera settings.
4. The generated DSNU correction values will be activated and saved in the camera's volatile memory.
5. To save the generated DSNU correction values in the camera's Flash (non-volatile) memory, use the **DSNU Data Selector** parameter to specify a location to save the DSNU correction values, and then execute the **DSNU Data Save** command. The previous DSNU values saved in the memory will be overwritten.

To disregard the generated DSNU correction values and load the existing values in the Flash memory, use the **DSNU Data Selector** parameter to select a desired DSNU correction values, and then execute the **DSNU Data Load** command.

9.10 Photo Response Non-uniformity Correction

In theory, when a line scan camera acquires images with the camera viewing a uniform light-colored target in bright light, all of the pixel values in the image should be near the maximum grey value and they should be equal. In practice, however, slight variations in the performance of the pixels in the sensor, variations in the optics, and variations in the lighting will cause some variations in the pixel values output from the camera. This variation is known as Photo Response Non-uniformity (PRNU). The VC-5/9/18MC series camera provides the PRNU Correction feature.

The XML parameters related to PRNU are as follows.

XML Parameters	Value	Description
PRNU PRNUNUDataSelector	Default	Selects Default as a non-volatile memory location to load PRNU data from.
	Space1 - 3	Selects a user defined location as a non-volatile memory location to save PRNU data to or load PRNU data from.
PRNUDataGenerate	-	Generates the PRNU data for the current camera settings.
PRNUDataSave	-	Saves the generated PRNU data in the non-volatile memory. The generated data by executing the PRNUDataGenerate command are saved in the volatile memory so that the data are lost if the camera is reset or if power is turned off. To use the data after the camera is powered on or reset, save them in the non-volatile memory.
PRNUDataLoad	-	Loads the PRNU data from the non-volatile memory into the volatile memory.

Table 9-16 XML Parameters related to PRNU

9.10.1 Generating and Saving User PRNU Correction Values

To generate and save user PRNU correction values, use the following procedure.



Note:

To generate the optimum PRNU data,

- We recommend that you generate DSNU correction values first before generating PRNU correction values.
- Set the FFC feature to Off before generating PRNU correction values.
- Before executing the PRNU correction, you must set the camera as follows:
OffsetX, OffsetY: 0
Width, Height: Maximum values
- The grey reference image must be acquired at uniform illumination. We strongly recommend that you use a high-quality light source to deliver uniform illumination. Standard illumination may not be appropriate.

The PRNU correction values stored in Default are optimized for use in typical situations and will provide good camera performance in most cases. Use of the values stored in Default is recommended.

1. To generate PRNU correction values suitable for your operating conditions, use the same as the illumination in the actual environment. We strongly recommend that you use the Default PRNU correction values stored in Default, if you cannot set up the uniform illumination.
2. Without mounting a lens on the camera, place a uniform illumination (e.g. backlight) in the field of view of the camera. Set up the camera as you would for normal operation. We recommend that you make adjustments to achieve the digital output level in a range from 150 to 200 (Gain: 1.00 at 8 bit).
3. Begin acquiring images by setting the camera for the Free-Run mode.
4. Execute the **PRNU Data Generate** command to generate PRNU correction values for the current camera settings.
5. The generated PRNU correction values will be activated and saved in the camera's volatile memory.
6. To save the generated PRNU correction values in the camera's Flash (non-volatile) memory, use the **PRNU Data Selector** parameter to specify a location to save the PRNU correction values, and then execute the **PRNU Data Save** command. The previous PRNU values saved in the memory will be overwritten.

To disregard the generated PRNU correction values and load the existing values in the Flash memory, use the **PRNU Data Selector** parameter to select a desired PRNU correction values, and then execute the **PRNU Data Load** command.

9.11 Flat Field Correction

The Flat Field Correction feature improves the image uniformity when you acquire a non-uniformity image due to external conditions. The Flat Field Correction feature of the VC-5/9/18MC series camera can be summarized by the following equation.

$$IC = IR / IF$$

IC: Level value of corrected image

IR: Level value of original image

IF: Level value of Flat Field data

In actual use conditions, generate a Flat Field correction data and then save the data into the non-volatile memory of the camera by following the procedure below.

1. Execute the **Flat Field Data Generate** parameter.

After executing the **Flat Field Data Generate** parameter, you must acquire one image to generate the scaled down Flat Field correction data.

2. Use the **Flat Field Data Selector** parameter to specify a location to save the generated Flat Field correction data.
3. Execute the **Flat Field Data Save** parameter to save the generated Flat Field data into the non-volatile memory. When the scaled down Flat Field data are used for correction, they are expanded and applied with a Bilinear Interpolation as shown in the **Figure 9-8**.

To disregard the generated Flat Field correction data and load the existing Flat Field correction data, execute the **Flat Field Data Load** parameter before executing the **Flat Field Data Save** parameter.

4. Set the **Flat Field Correction** parameter to **On** to apply the Flat Field data to the camera.



Caution!

- It is recommended that you enable the **Defective Pixel Correction** feature before executing the **Flat Field Data Generate** parameter.
- Before executing the **Flat Field Data Generate** parameter, you must set the camera as follows:
OffsetX, Y: 0
Width, Height: Maximum values
- After executing the **Acquisition Start** command, you need to operate the camera with the free-run mode or apply a trigger signal to acquire an image.

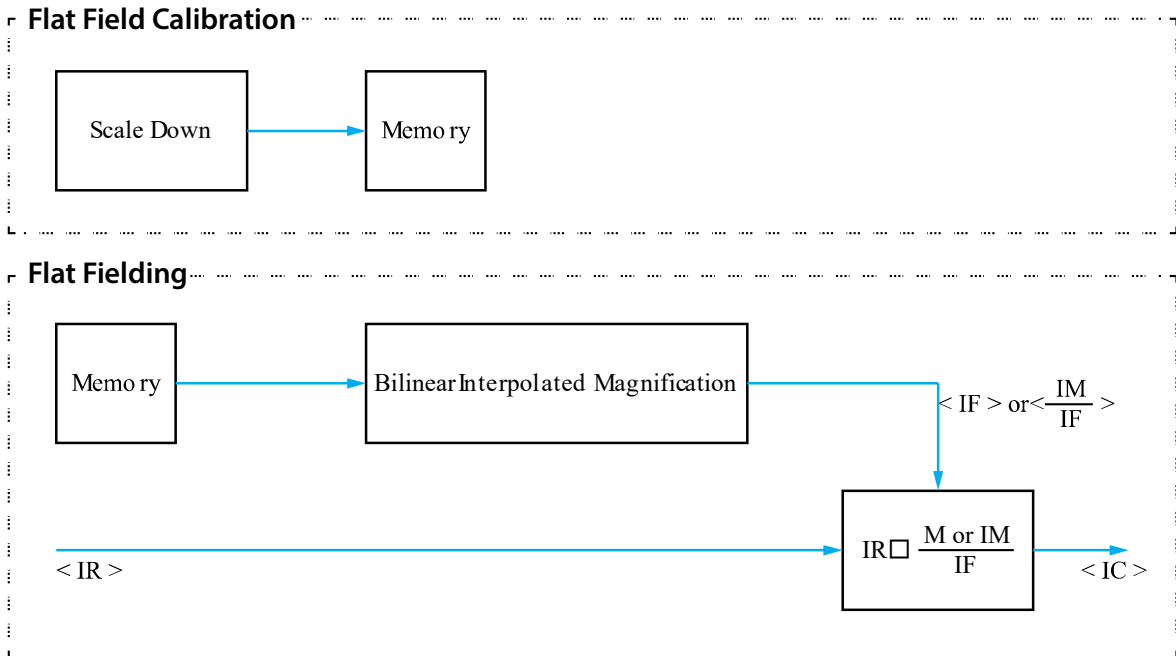


Figure 9-7 Generation and Application of Flat Field Data

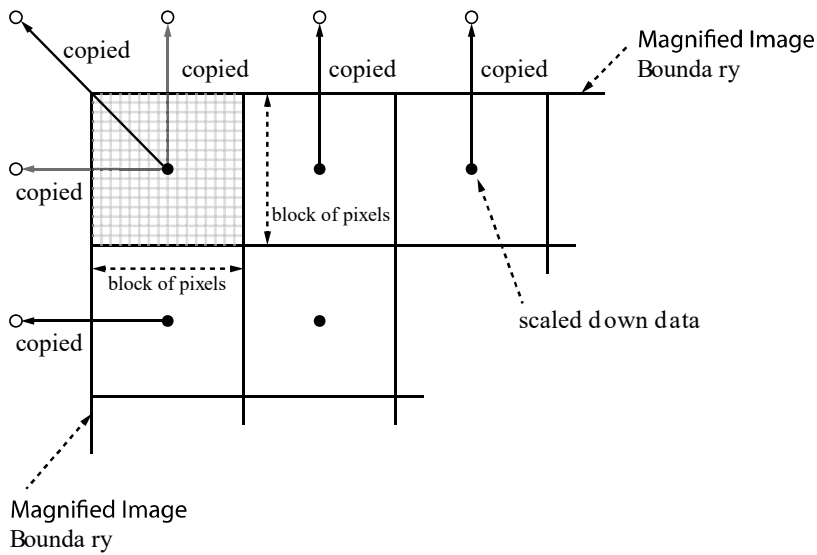


Figure 9-8 Bilinear Interpolated Magnification

The XML parameters related to Flat Field Correction are as follows.

XML Parameters		Value	Description
FlatFieldControl	FlatFieldCorrection	Off	Disables the Flat Field Correction feature.
		On	Enables the Flat Field Correction feature.
	FlatFieldData Selector	Space0 - Space15	Selects a location to save Flat Field data to or load Flat Field data from. Space0~Space15:User defined location
	FlatFieldData Generate	-	Generates the Flat Field data.
	FlatFieldDataSave	-	Saves the generated Flat Field correction data in the non-volatile memory. The data generated by executing the Flat Field Data Generate parameter are saved in the volatile memory so that the data are lost if the camera is reset or if power is turned off. To use the data after the camera is powered on or reset, save them in the non-volatile memory.
	FlatFieldDataLoad	-	Loads the Flat Field data from the non-volatile memory into volatile memory.

Table 9-17 XML Parameters related to Flat Field Correction

9.11.1 Flat Field Data Selector

As mentioned above, the generated Flat Field correction data are stored in the camera’s volatile memory and the data are lost if the camera is reset or powered off. To use the generated Flat Field correction data after the camera is powered on or reset, you need to save them in the camera’s non-volatile memory. The VC-5/9/18MC series camera provides sixteen reserved locations in the camera’s non-volatile memory available for saving and loading the Flat Field correction data. You can use the **Flat Field Data Selector** parameter to select a location as desired.

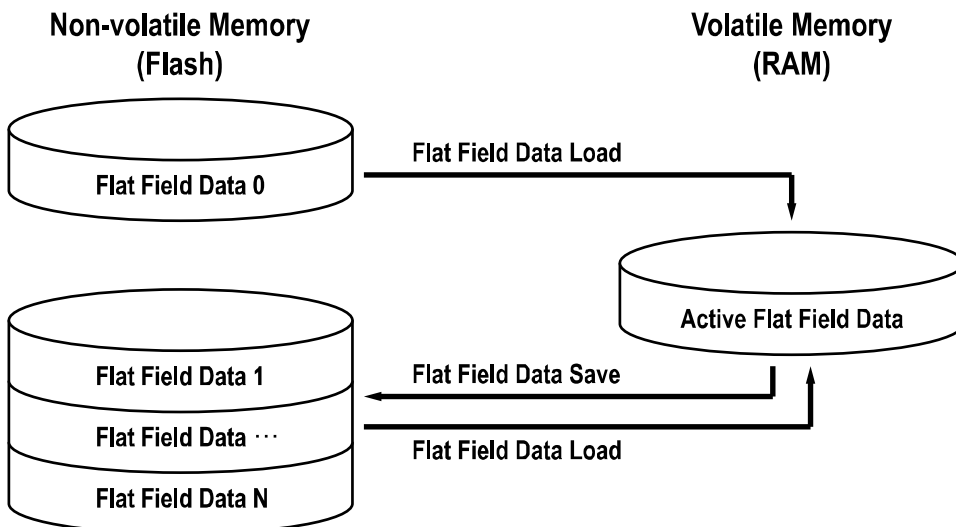


Figure 9-9 Flat Field Data Selector

Saving Flat Field Data

In order to save the active Flat Field data into a reserved location in the camera's Flash memory, follow the procedure below.

1. Use the **Flat Field Data Selector** parameter to specify a location to save the active Flat Field data.
2. Execute the **Flat Field Data Save** parameter to save the active Flat Field data to the selected location.

Loading Flat Field Data

If you saved Flat Field correction data into the camera's non-volatile memory, you could load the saved Flat Field correction data from the camera's non-volatile memory into the camera's active Flat Field data location.

1. Use the **Flat Field Data Selector** parameter to specify a reserved location whose Flat Field correction data will be loaded into the camera's active Flat Field data location.
2. Execute the **Flat Field Data Load** parameter to load the selected Flat Field correction data into the active Flat Field data location.

9.12 Digital I/O Control

The Control I/O receptacle of the camera can be operated in various modes.

The XML parameters related to Digital I/O Control are as follows.

XML Parameters	Value	Description	
DigitalIOControl	LineSelector	Line0	Configures the items related to the pins of No.2 and No.3 among 6 of the pins.
		Line1	Configures the items related to the pin No.4 among 6 of the pins.
LineMode	Input	Appears under Line0 is chosen.	
	Output	Appears under Line1 is chosen.	
LineInverter	FALSE	Disables inversion on the output signal of the line.	
	TRUE	Enables inversion on the output signal of the line.	
LineSource	Off	Disables the line output.	
	Exposure Active	Outputs pulse signals indicating the current exposure time.	
	Frame Active	Outputs pulse signals indicating a frame readout time.	
	UserOutput0	Outputs pulse signals set by User Output Value.	
	Timer0 Active	Outputs user-defined Timer signals as pulse signals.	
UserOutput Value	FALSE	Sets the bit state of the line to Low.	
	TRUE	Sets the bit state of the line to High.	
Debounce Time	0 ~ 1,000,000	Sets a Debounce Time in microseconds (Default: 0.5 μ s).	

Table 9-18 XML Parameters related to Digital I/O Control

When you set the **Line Source** to **User Output0**, you can use the user setting values as output signals.

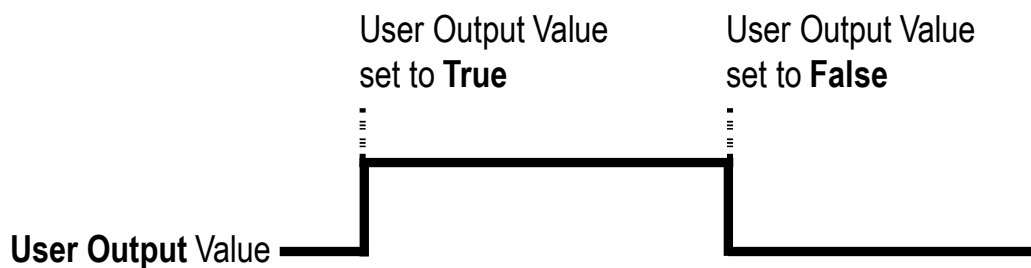


Figure 9-10 User Output

The camera can provide an Exposure Active output signal. The signal goes high when the exposure time for each frame acquisition begins and goes low when the exposure time ends as shown in the figure below. This signal can be used as a flash trigger and is also useful when you are operating a system where either the camera or the object being imaged is movable. Typically, you do not want the camera to move during exposure. You can monitor the Exposure Active signal to know when exposure is taking place and thus know when to avoid moving the camera.

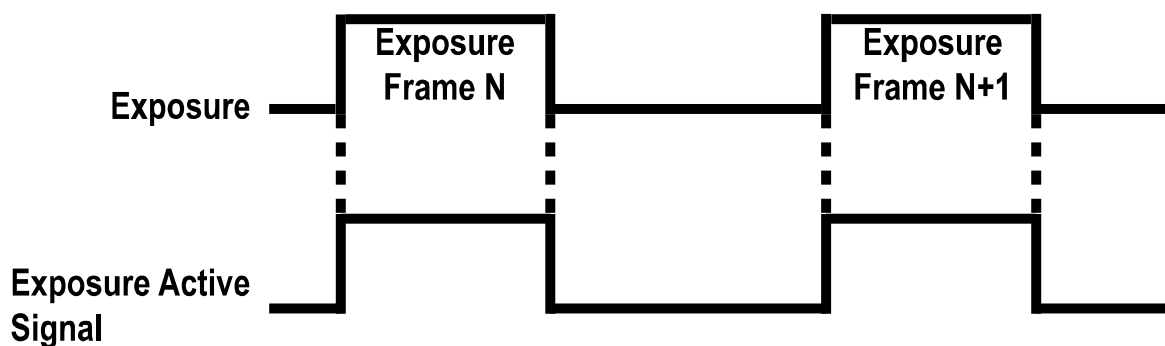


Figure 9-11 Exposure Active Signal

9.13 Debounce

The Debounce feature of the VC-5/9/18MC series cameras allows to supply only valid signals to the camera by discriminating between valid and invalid input signals. The Debounce Time parameter specifies the minimum time that an input signal must remain High or Low in order to be considered as a valid input signal. When you use the Debounce feature, be aware that there is a delay between the point where the valid input signal arrives and the point where the signal becomes effective. The duration of the delay is determined by the Debounce Time parameter setting value.

When you set the Debounce Time parameter, High and Low signals shorter than the setting value are considered invalid and ignored as shown in the figure below.

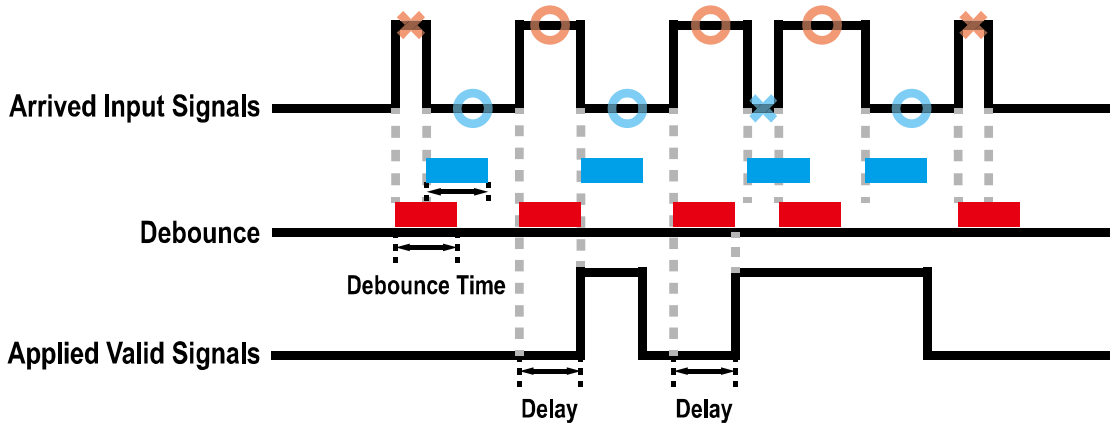


Figure 9-12 Debounce

The XML parameter related to Debounce Time is as follows.

XML Parameters		Value	Description
DigitalIOControl	Debounce Time	0 – 1,000,000 μ s	Sets a Debounce Time in microseconds (Default: 0.5 μ s).

Table 9-19 XML Parameter related to Debounce Time

9.14 Timer Control

When the **Line Source** parameter is set to **Timer0Active**, the camera can provide output signals by using the Timer. On the VC-5/9/18MC series camera, the Frame Active, Exposure Active event or external trigger signal is available as Timer source signal.

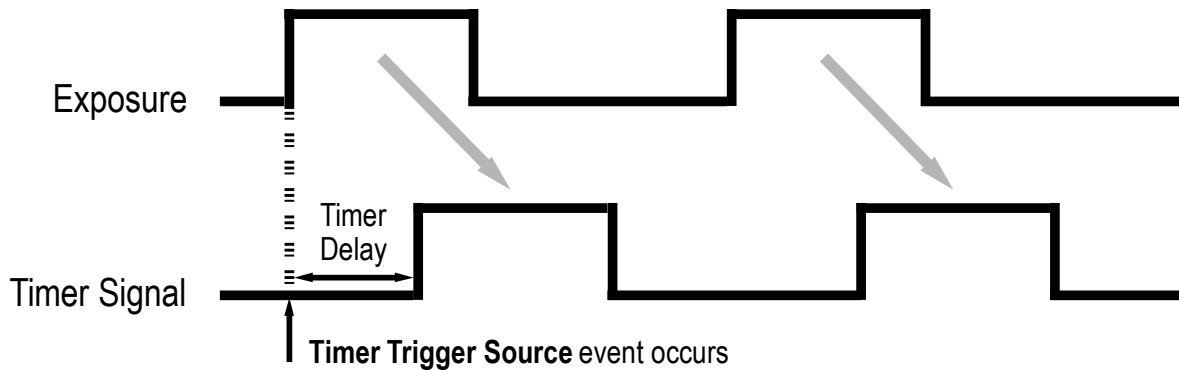
The XML parameters related to Timer are as follows.

XML Parameters	Value	Description	
CounterAnd TimerControl	TimerDuration	1 ~ 60,000,000 μ s	Sets the duration of the Timer output signal to be used when Timer Trigger Activation is set to Rising/Falling Edge.
	TimerDelay	0 ~ 60,000,000 μ s	Sets the delay time to be applied before starting the Timer.
	TimerReset	-	Resets the Timer and starts it again.
TimerTrigger Source	Off	Off	Disables the Timer trigger.
	ExposureActive	ExposureActive	Sets the Timer to use the current exposure time as the source signal.
	FrameActive	FrameActive	Sets the Timer to use a frame readout time as the source signal.
	CC1	CC1	Sets the CC1 signal to use as the source signal of the Timer output signal.
TimerTrigger Activation	Line0	Line0	Sets the Timer to use the external trigger signal as the source signal.
	RisingEdge	RisingEdge	Specifies that a rising edge of the selected trigger signal will act as the Timer trigger.
	FallingEdge	FallingEdge	Specifies that a falling edge of the selected trigger signal will act as the Timer trigger.
	AnyEdge	AnyEdge	Specifies that a rising edge or a falling edge of the selected trigger signal will act as the Timer trigger.
	LevelHigh	LevelHigh	Specifies that the Timer output signal will be valid as long as the selected trigger signal is High.
	LevelLow	LevelLow	Specifies that the Timer output signal will be valid as long as the selected trigger signal is Low.

Table 9-20 XML Parameters related to Timer Control

For example, when the **Timer Trigger Source** is set to **Exposure Active** and the **Timer Trigger Activation** is set to **Level High**, the Timer will act as follows.

1. When the source signals set by the **Timer Trigger Source** parameter are applied, the Timer will start operations.
2. The delay set by the **Timer Delay** parameter begins to expire.
3. When the delay expires, the Timer signal goes high as long as the source signal is high.



* **Timer Trigger Activation** is set to **Level High**.

Figure 9-13 Timer Signal

9.15 Counter Control

The VC-5/9/18MC series camera provides the Counter feature to count certain camera events. For example, you can verify the number of external trigger signals applied to the camera.

The XML parameters related to Counter Control are as follows.

XML Parameters		Value	Description
CounterAnd TimerControl	CounterSelector	Counter0	Selects a Counter to configure.
	CounterEventSource	Off	Stops the Counter.
FrameActive		Counts the number of Frame Active signals.	
LineActive		Counts the number of Line Active signals.	
Exposure Active		Counts the number of Exposure Active signals.	
CC1		Counts the number of CC1 signals.	
Line0		Counter the number of external trigger signals.	
CounterEventActivation	RisingEdge	Counts on the rising edge of the selected Event Source signal.	
	FallingEdge	Counts on the falling edge of the selected Event Source signal.	
CounterResetSource	Off	Disables the Counter Reset trigger.	
	Frame Active	Uses the Frame Active signal as Reset Source.	
	Exposure Active	Uses the Exposure Active signal as Reset Source.	
	Acquisition Active	Uses the Acquisition Active signal as Reset Source.	
	Line0	Uses the Line0 signal as Reset Source.	
CounterResetActivation	RisingEdge	Resets Counter on the rising edge of the selected Reset Source signal.	
	FallingEdge	Resets Counter on the falling edge of the selected Reset Source signal.	
	AnyEdge	Resets Counter on the rising/falling edge of the selected Reset Source signal.	
	LevelHigh	Resets the Counter if the level of the selected Reset Source signal is High.	
	LevelLow	Resets the Counter if the level of the selected Reset Source signal is Low.	
CounterReset	-	Resets the selected Counter and restarts.	
CounterValue	-	Displays the current value of the selected Counter.	
CounterValueAtReset	-	Displays the value of the Counter when it was reset by the Counter Reset command.	

Table 9-21 XML Parameters related to Counter Control #1

XML Parameters	Value	Description	
CounterAnd TimerControl	CounterDuration	1 – 4294967295	Sets the duration or number of events to count before the Counter ends.
	CounterStatus	-	Displays the current status of the Counter.
	CounterTriggerSource	Off	Disables the Counter Trigger Source function.
		Frame Active	Uses the Frame Active signal as Trigger Source of Counter.
		Exposure Active	Uses the Exposure Active signal as Trigger Source of Counter.
		Acquisition Active	Uses the Acquisition Active signal as Trigger Source of Counter.
		Line0	Uses the Line0 signal as Trigger Source of Counter.
	CounterTriggerActivation	RisingEdge	Starts Counter on the rising edge of the selected Counter Trigger Source signal.
		FallingEdge	Starts Counter on the falling edge of the selected Counter Trigger Source signal.
		AnyEdge	Starts Counter on the rising/falling edge of the selected Counter Trigger Source signal.
LevelHigh		Resets the Counter if the level of the selected Counter Trigger Source signal is High.	
LevelLow		Resets the Counter if the level of the selected Counter Trigger Source signal is Counter.	

Table 9-22 XML Parameters related to Counter Control #2

9.16 Temperature Monitor

The camera has an embedded sensor chip to monitor the internal temperature.

The XML parameters related to Device Temperature are as follows.

XML Parameters	Value	Description	
DeviceControl	DeviceTemperatureSelector	Mainboard	Sets a temperature measuring spot to the mainboard.
	DeviceTemperature	-	Displays device temperature in Celsius.

Table 9-23 XML Parameters related to Device Temperature

9.17 Status LED

A LED is installed on the rear panel of the camera to inform the operation status of the camera.

LED status and corresponding camera status are as follows:

Status LED	Description
Steady Red	The camera is not initialized.
Fast Flashing Orange	The camera is transmitting image data.
Steady Green	A Camera Link stands by.

Table 9-24 Status LED

9.18 Test Pattern

To check whether the camera operates normally or not, it can be set to output test patterns generated in the camera, instead of image data from the image sensor. Four types of test patterns are available; images with different values in horizontal direction (Grey Horizontal Ramp), images with different values in diagonal direction (Grey Diagonal Ramp), moving images with different values in diagonal direction (Grey Diagonal Ramp Moving) and images with different values in horizontal direction output from the image sensor (Sensor Specific).

The XML parameter related to Test Pattern is as follows.

XML Parameter	Value	Description
ImageFormatControl TestPattern	Off	Disables the Test Pattern feature.
	GreyHorizontalRamp	Sets to Grey Horizontal Ramp.
	GreyDiagonalRamp	Sets to Grey Diagonal Ramp.
	GreyDiagonalRampMoving	Sets to Grey Diagonal Ramp Moving.
	SensorSpecific	Sets to the Test Pattern generated by the image sensor.

Table 9-25 XML Parameter related to Test Pattern

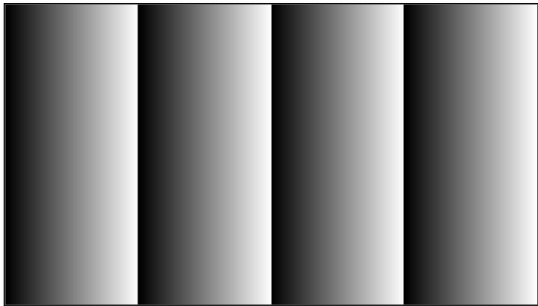


Figure 9-14 Grey Horizontal Ramp



Figure 9-15 Grey Diagonal Ramp



Figure 9-16 Grey Diagonal Ramp Moving

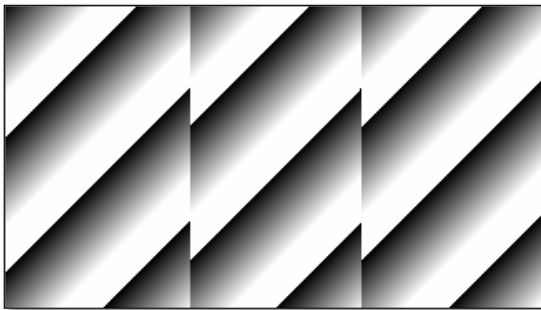


Figure 9-17 Sensor Specific



Caution!

The test pattern may look different because the region of the test pattern may vary depending on the camera's resolution.

9.19 Reverse X

The Reverse X feature lets you flip images horizontally. This feature is available in almost all of operation modes of the camera, except for the **Test Image** mode.

XML Parameter		Value	Description
ImageFormatControl	ReverseX	FALSE	Disables the Reverse X feature.
		TRUE	Flips images horizontally.

Table 9-26 XML Parameter related to Reverse X



Figure 9-18 Original Image



Figure 9-19 Reverse X Image

9.20 Reverse Y

The Reverse Y feature lets you flip images vertically. This feature is available in all operation modes of the camera. The XML parameter related to Reverse Y is as follows.

XML Parameters		Value	Description
ImageFormatControl	ReverseY	FALSE	Disables the Reverse Y feature.
		TRUE	Flips images vertically.

Table 9-27 XML Parameter related to Reverse Y



Figure 9-20 Original Image



Figure 9-21 Reverse Y Image



Caution!

After using the **Reverse Y** feature, you must generate the camera's correction data (Defective Pixel Map, DSNU and PRNU) again, from the beginning.

9.21 Device Link Throughput Limit

The **Device Link Throughput Limit** feature allows you to limit the maximum available bandwidth for data transmission to your computer.

The XML parameter related to Device Link Throughput Limit is as follows.

XML Parameters		Description
DeviceControl	DeviceLinkThroughputLimit	Limits the maximum available bandwidth (bps).

Table 9-28 XML Parameter related to Device Link Throughput Limit



Caution!

To ensure good image quality, we recommend that you set the **Device Link Throughput Limit** parameter to the maximum value. Otherwise, the image quality can decrease. In case of the VC-5/9/18MC series, its maximum value is 1700.

9.22 Device User ID

You can input user-defined information up to 64 bytes.

The XML parameter related to Device User ID is as follows.

XML Parameter		Description
DeviceControl	DeviceUserID	Input user-defined information (64 bytes).

Table 9-29 XML Parameter related to Device User ID

9.23 Device Reset

Resets the camera physically to power off and on.

The XML parameter related to Device Reset is as follows.

XML Parameter		Description
DeviceControl	Device Reset	Resets the camera physically.

Table 9-30 XML Parameter related to Device Reset

9.24 Field Upgrade

The camera provides a feature to upgrade the Firmware and FPGA logic through the Camera Link interface without disassembling the camera in the field. Refer to [Appendix A](#) for more details about how to upgrade.

9.25 User Set Control

You can save the current camera settings to the camera's internal Flash memory. You can also load the camera settings from the camera's internal Flash memory. The camera provides two setups to save and three setups to load settings.

The XML parameters related to User Set Control are as follows.

XML Parameters	Value	Description	
UserSetControl	UserSetSelector	Default	Selects the Factory Default settings.
		UserSet1	Selects the UserSet1 settings.
		UserSet2	Selects the UserSet2 settings.
UserSetLoad	-	Loads the User Set specified by User Set Selector to the camera.	
UserSetSave	-	Saves the current settings to the User Set specified by User Set Selector. The Default is a Factory Default Settings and allowed to load only.	
UserSetDefault		Default	Applies the Factory Default settings when reset.
		UserSet1	Applies the UserSet1 when reset.
		UserSet2	Applies the UserSet2 when reset.

Table 9-31 XML Parameters related to User Set Control

The camera settings stored in the Default can be loaded into the camera's workspace but cannot be changed. The settings set in the workspace will be lost if the camera is reset or powered off. To use the current setting values in the workspace after a reset, you must save the settings to one of the user spaces.

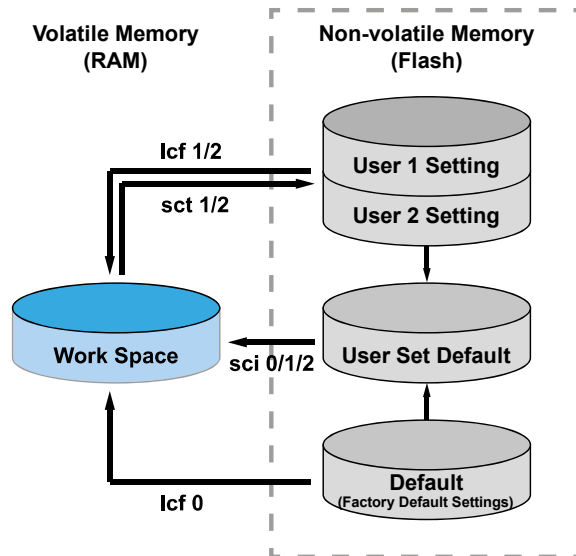


Figure 9-22 User Set Control

Chapter 10. Troubleshooting

When you have a problem with a Vieworks camera, please check the followings:

- If no image is displayed on your computer,
 - Ensure that all cable connections are secure.
 - Ensure that the power supply is properly connected.
 - Ensure that trigger signals are applied correctly when you operate the camera with trigger signals.

- If images are not clear,
 - Ensure the camera lens or glass is clean.
 - Check the lens aperture is adjusted properly.

- If images are dark,
 - Ensure the camera lens is not blocked.
 - Check the exposure time is set properly.

- If you identify abnormal operation or overheating sign,
 - Ensure the power supply is properly connected.
 - Stop using the camera when you notice smoke or abnormal overheating.

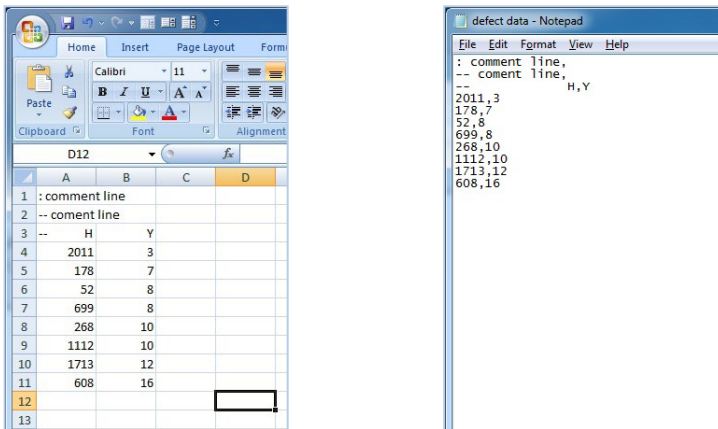
- If the Trigger Mode is not working correctly,
 - Ensure that the CC1 settings on the frame grabber are configured correctly when you use CC1 triggering.
 - Ensure that cable connections are secure when you use external triggering.

- If there is a communication failure between the camera and user's computer,
 - Ensure that the Camera Link cable connections are secure.
 - Ensure that you have configured a frame grabber in your computer and the camera is connected to the frame grabber correctly.

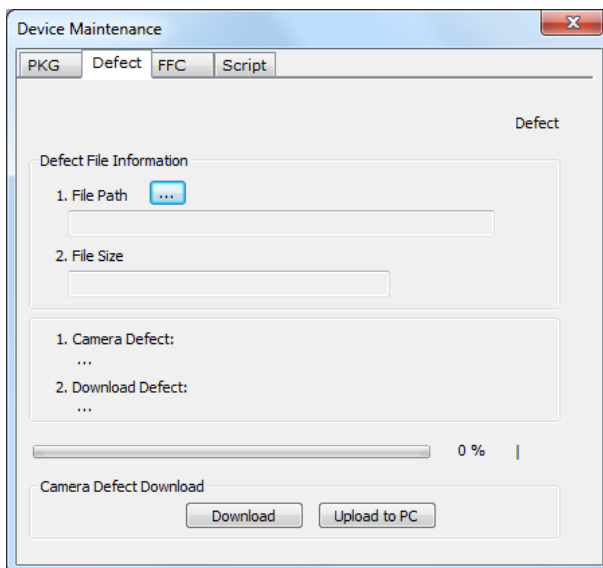
Appendix A. Defective Pixel Map Download

1. Create the Defective Pixel Map data in Microsoft Excel format as shown in the left picture below and save as a CSV file (*.csv). The picture in the right shows the created Excel file opened in Notepad. The following rules need to be applied when creating the file.

- Lines beginning with ':' or '--' are treated as notes.
- You must enter the horizontal value first and then the vertical value for coordinates of each defect pixel.
- Coordinate values for each pixel can be placed in any order.



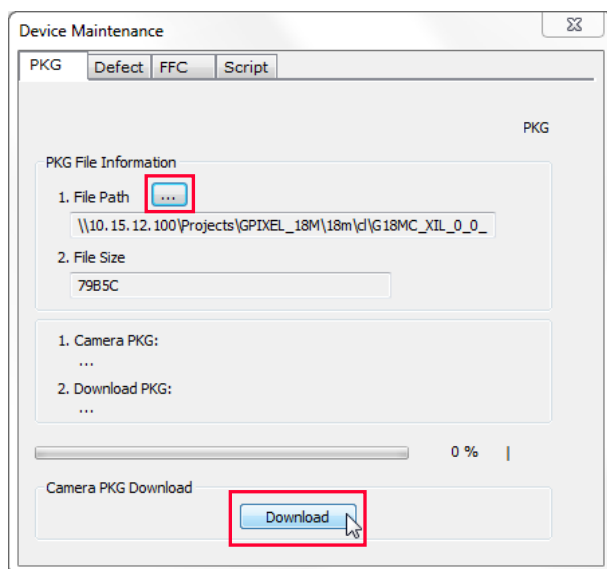
2. Run the application provided by your frame grabber to update or download the Defective Pixel Map data, and then find the window to function as shown below. Select the **Defect** tab, click the **File Path** item, search and select the defective pixel map (*.csv), and then click the **Download** button.



Appendix B. Field Upgrade

You can upgrade the MCU, FPGA and XML file of the camera by following the procedure below.

1. Run the application provided by your frame grabber, and then find the menu to support the necessary function.
2. Select the **PKG** tab, on the window below, click the button next to **File Path**, search and select the MCU, FPGA or XML upgrade file, and then click the **Download** button.



3. The camera begins downloading the upgrade file and the downloading status is displayed at the bottom of the window.

Appendix C. Index

6

6-pin connector.....30

A

acquisition control.....32

Acquisition Mode

 Continuous parameter.....33

 MultiFrame parameter33

 SingleFrame parameter33

Acquisition Mode parameter33

acquisition process.....47

Acquisition Start command.....33

Acquisition Stop command.....33

any edge.....38

application.....7

B

back panel.....27

Bayer GB 8/10/1259

block diagram22

C

Camera Link connector..... 27, 28

camera ON&OFF83

camera's pixel formats..... 59

camera's temperature, parameters 78

CC1 35

CC1 Trigger..... 41

circuit 31

Configurator7, 26

Configurator download..... 26

connector of Camera Link..... 28

Continuous parameter..... 33

D

defect pixel..... 63

diagram..... 22

dimension 24

downloading Configurator..... 26

DSNU data, generation 64

E

Exposure Mode	
Timed	36
Trigger Width.....	36
Exposure Mode parameter	36

F

falling edge	38
FFC.....	68
Flat Field Correction data, generation.....	68
frame acquisition process	47
Free-run.....	36

G

gain value, setting	62
generating data of Flat Field correction.....	68

H

hardware trigger signal	42
Hirose	30
Hirose 6-pin connector	30

I

inputting information of user's choice.....	83
---	----

K

key features	20
--------------------	----

L

LED status	79
level high	38
level low.....	38
Line0	35

M

main features.....	20
mechanical dimension	24
Mono 8/10/12	59
MultiFrame parameter	33
Multi-ROI, determination	57

O

offset to pixel.....	62
offset value, setting	62
OffsetX.....	52
OffsetY.....	52
overlapped exposure	47

P

pixel formats.....	59
preface.....	3, 7
PRNU.....	66
product	7

R

reset physically83

rising edge38

ROI52

ROI-origin position53

ROI-size setting53

S

schematic diagram31

SDR connector28

SingleFrame parameter33

Software35

specification21

strobe output31

T

tilt settings25

Timed36

Timer0Active35

trigger input31

Trigger Mode

 off34

 on34

Trigger Signals35

Trigger Source

 CC135

 Line035

 Software35

 Timer0Active35

 UserOutput035

Trigger Source parameter35

Trigger Width36

Trigger Width mode45

U

UserOutput035

V

VC-5/9/18MC series specification21

X

XML parameter

 AcquisitionActive78

 Analog Control62

 AnalogControl61

 AnyEdge75, 78

 BalanceRatio61

 BalanceRatioSelector61

 BalanceWhiteAuto61

 BlackLevel62

 BlackLevelSelector62

 CC175, 78

 CounterAndTimeControl75, 78

 CounterDuration78

 CounterEventActivation78

 CounterEventSource78

 CounterReset78

 CounterResetSource78

 CounterSelector78

 CounterStatus78

 CounterValue78

 CounterValueAtReset78

 DataRoiControl60

 Debounce Time74

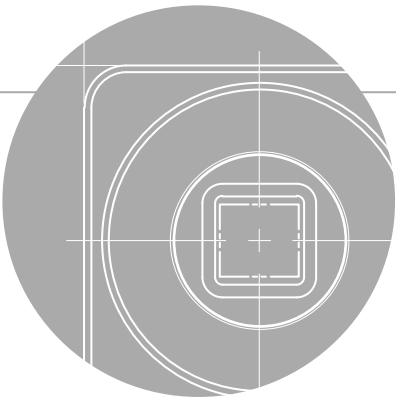
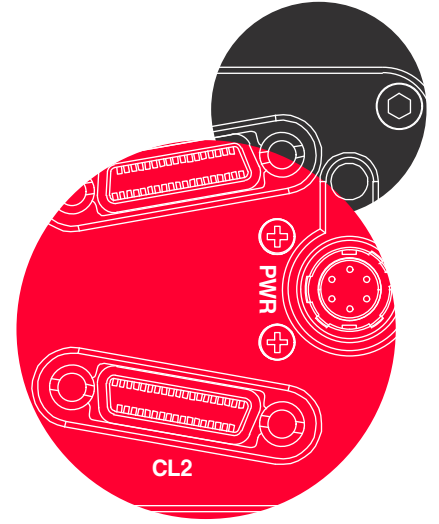
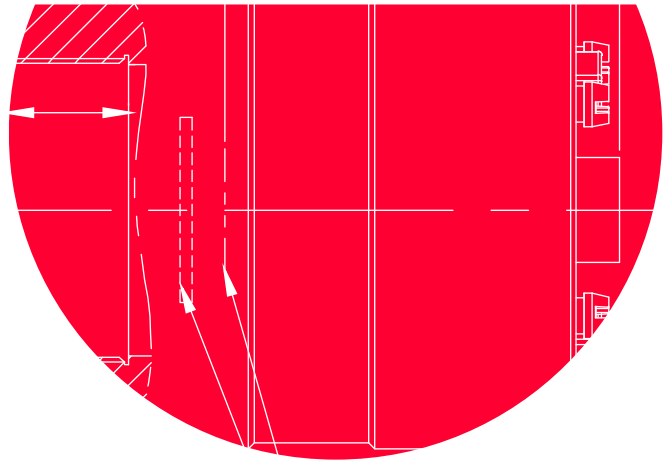
 DebounceTime72

 Device Reset83

 DeviceControl78, 83

 DeviceLinkThroughputLimit83

DeviceTapGeometry.....	58	MultiRoiOffsetX.....	55
DeviceTemperature.....	78	MultiRoiOffsetY.....	55
DeviceTemperatureSelector.....	78	MultiRoiSelector.....	55
DeviceUserID.....	83	MultiRoiStatus.....	55
DigitalIOControl.....	72, 74	MultiRoiValid.....	55
DSNU.....	64	MultiRoiWidth.....	55
DSNUDataGenerate.....	64	OffsetX.....	53
DSNUDataLoad.....	64	OffsetY.....	53
DSNUDataSave.....	64	Output.....	72
DSNUDataSelector.....	64	PixelFormat.....	59
ExposureActive.....	72, 75, 78	PRNU.....	66
FallingEdge.....	75, 78	PRNUDataGenerate.....	66
Flat Field Data Selector.....	70	PRNUDataLoad.....	66
FlatFieldControl.....	70	PRNUDataSave.....	66
FlatFieldCorrection.....	70	PRNUDataSelector.....	66
FlatFieldDataGenerate.....	70	ReverseX.....	81
FlatFieldDataLoad.....	70	ReverseY.....	81
FlatFieldDataSave.....	70	RisingEdge.....	75, 78
FlatFieldDataSelector.....	70	RoiHeight.....	60
FrameActive.....	72, 75, 78	RoiOffsetX.....	60
Gain.....	62	RoiOffsetY.....	60
GainSelector.....	62	RoiSelector.....	60
Geometry_1X10_1Y.....	58	RoiWidth.....	60
Geometry_1X2_1Y.....	58	SensorHeight.....	53
Geometry_1X4_1Y.....	58	SensorSpecific.....	79
Geometry_1X8_1Y.....	58	SensorWidth.....	53
GreyDiagonalRamp.....	79	TestPattern.....	79
GreyDiagonalRampMoving.....	79	Timer0Active.....	72
GreyHorizontalRamp.....	79	TimerDelay.....	75
Height.....	53	TimerDuration.....	75
HeightMax.....	53	TimerReset.....	75
ImageFormatControl.....	53, 59, 79, 81	TimerTriggerActivation.....	75
Input.....	72	TimerTriggerSource.....	75
LevelHigh.....	75, 78	TransportLayerControl.....	58
LevelLow.....	75, 78	UserDefault.....	84
Line 0.....	72	UserOutput0.....	72
Line 1.....	72	UserOutputValue.....	72
Line0.....	75, 78	UserSet1.....	84
LineActive.....	78	UserSet2.....	84
LineInverter.....	72	UserSetControl.....	84
LineMode.....	72	UserSetLoad.....	84
LineSelector.....	72	UserSetSave.....	84
LineSource.....	72	UserSetSelector.....	84
MultiRoiControl.....	55	White Balance Auto.....	60
MultiRoiHeight.....	55	Width.....	53
MultiRoiMode.....	55	WidthMax.....	53



Vieworks Co., Ltd.

41-3, Burim-ro, 170beon-gil,
Dongan-gu, Anyang-si, Gyeonggi-do
14055 Republic of Korea

Tel: +82-70-7011-6161

Fax: +82-31-386-8631

<http://vision.vieworks.com>

vision@vieworks.com